

250-300-350-400 AM
250-300-350-400 AMG

Piezas para el modelo

Parts list model

■ En las páginas siguientes encontrará los despieces de los distintos componentes del vehículo, así como la relación de las piezas que los componen debidamente referenciadas. Esto le servirá para identificar correctamente cualquier pieza que pueda precisar.

Para solicitar piezas de repuesto es preciso indicar: **Nº de bastidor, Nº de tabla, Nº de figura y Nº de referencia de la pieza.**

Para su comodidad y mejor servicio, pida los repuestos que precise al Distribuidor Oficial más próximo.

La Empresa Constructora se reserva el derecho de variar cualquier característica sin previo aviso, si lo considera conveniente para la mejora de sus vehículos.

■ *On the following pages you will find the list of spares of different components of the vehicle; and duly referenced to identify the spare you need.*

*In order to ask for spares you must indicate: **Nr. of chassis, Nr. of table. Nr. of figure and Nr. of reference.***

For your comfort and best service, please order the spares to your nearest Official Distributor. The manufacturer reserves the right of changing their characteristics without any previous notice, if it is considered suitable to improve the vehicles



Indice Index

Grupo Motor / Engine Group	
Motor, soportes y filtro aire / <i>Engine, supports and air cleaner</i>	7
Embrague / <i>Clutch</i>	8
Silenciador / <i>Silencer</i>	9
Grupo Transmisión / Transmission Group	
Campana embrague / <i>Clutch bell housing</i>	10
Caja velocidades / <i>Gear box</i>	11
Cambio velocidades / <i>Speed gear</i>	12
Soporte reductor / <i>Reductor support</i>	14
Reductor / <i>Reductor</i>	15
Junta cardán (P.D) / <i>Universal drive joint (F.A.)</i>	16
Junta cardán (P.T) / <i>Universañ drive joint (R.A.)</i>	17
Puente delantero / <i>Front axle</i>	18
Puente trasero / <i>Rear axle</i>	19
Grupo Bastidor / Chassis Group	
Bastidores / <i>Chassis</i>	20
Biela del bastidor / <i>Chassis connecting rod</i>	21
Grupo mando caja velocidades / Speed box controls Group	
Palancas mando velocidades / <i>Gears levers</i>	22
Palanca reenvío / <i>Gears reversing lever</i>	23
Grupo Acelerador / Accelerator Group	
Mandos acelerador / <i>Accelerator</i>	24
Grupo embrague / Clutch Group	
Mandos acelerador / <i>Accelerator</i>	25
Grupo accto. Freno / Act. Brake Group	
Instalación frenos / <i>Brake installation</i>	26
Grupo Dirección / Steering Group	
Dirección / <i>Steering</i>	27
Cilindro dirección / <i>Steering cylinder</i>	28
Grupo Ruedas / Wheels Group	
Ruedas / <i>Wheels</i>	29
Grupo Carrocería / Body group	
Depósito aceite / <i>Oil tank</i>	30
Depósito combustible / <i>Fuel tank</i>	31
Soportes / <i>Supports</i>	32
Espejo retrovisor / <i>Rear-vision mirror</i>	33
Asiento / <i>Seat</i>	34
Protector conductor / <i>Driver protector</i>	35
Tapas y protectores / <i>Covers and guards</i>	36
Implementos funcionamiento máquina / Machine operation tools	
Tolva / <i>Hopper</i>	38
Soporte tolva giratorio / <i>Rotating hopper support</i>	39

Indice

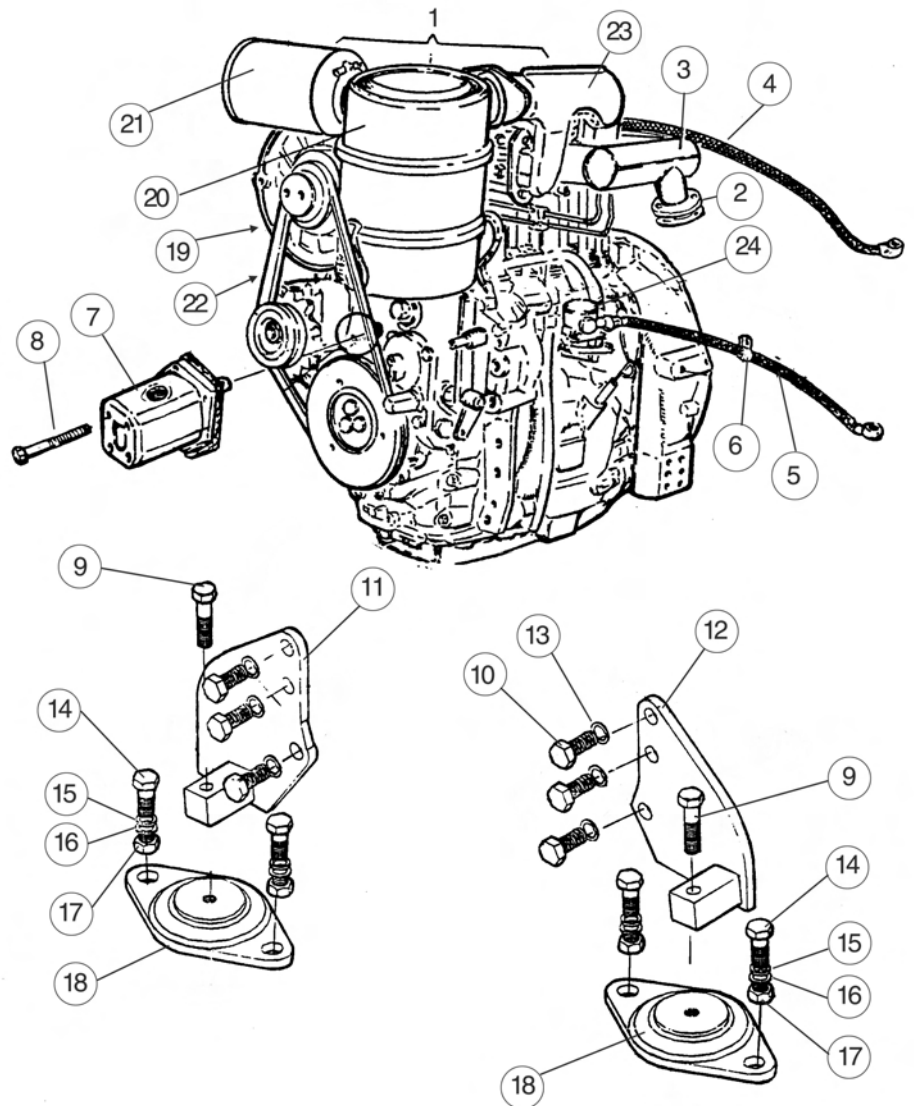
Index

Instalación circuito hidráulico / Hydraulic diagram installation	
Accionamiento / Actionnement (AM).....	40
Accionamiento / Actionnement (250/300 AMG).....	42
Accionamiento / Actionnement (350/400 AMG).....	44
Distribuidor / Distributor.....	46
Cilindro basculante / Dumping cylinder (250/300AM).....	47
Cilindro basculante / Dumping cylinder (350/400AMG).....	48
Cilindro basculante / Dumping cylinder (AMG).....	49
Cilindro corona / Crown cylinder (AMG).....	50
Grupo instalación eléctrica / Electric installation Group	
Arranque / Starting.....	52
Tablier arranque / Starting panel.....	53
Alumbrado / Lighting.....	54
Tablier alumbrado / Lighting panel.....	55
Grupo Acabados / Finish Group	
Placas / Plates.....	56-57
Protector conductor (opc.) / Driver protector (opt.).....	58
Embudo descarga / Low unload funnel.....	59
Faro giratorio / Rotating beacon.....	60

Motor Engine

Motor, soportes y filtro de aire
Engine, supports and air cleaner

Fig. N° Fig. N°	Referencia Part N°	Cantidad Quantity	Fig. N° Fig. N°	Referencia Part N°	Cantidad Quantity
1	52.00101.00	1 250-300	13	105.16000.66	1
1	54.00101.00	1 350-400	14	604.12030.86	1
2	52.00116.00	1	15	101.12000.66	1
3	38.00115.00	1	16	105.12000.66	1
4	43.14105.14	1	17	701.12000.66	1
5	43.14105.11	1	18	43.60152.00	1
6	938.08000.66	1	19	52.00350.03	1
7	15.01203.03	1	20	83.79009.01	1
8	604.10110.86	2	21	83.79009.12	2
9	604.12060.86	2	22	83.00252.06	2
10	603.16035.86	6	23	15.10997.00	6
11	60.00883.01	1	24	83.25050.03	1
12	60.00882.01	1			

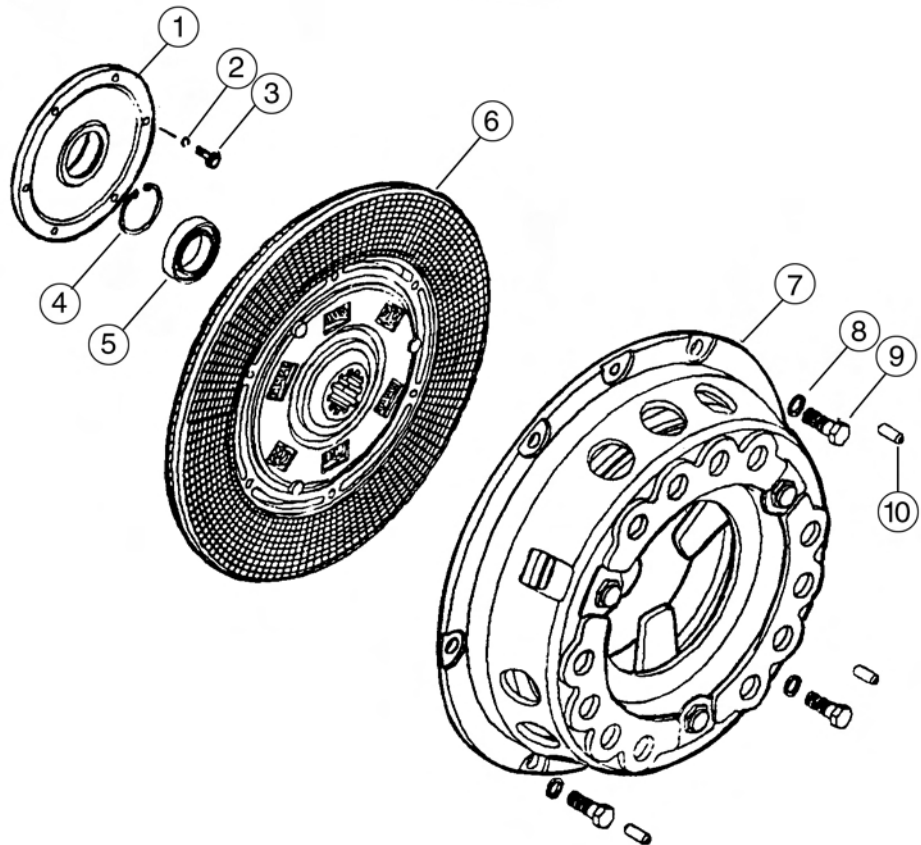




Motor Engine

Embrague
Clutch

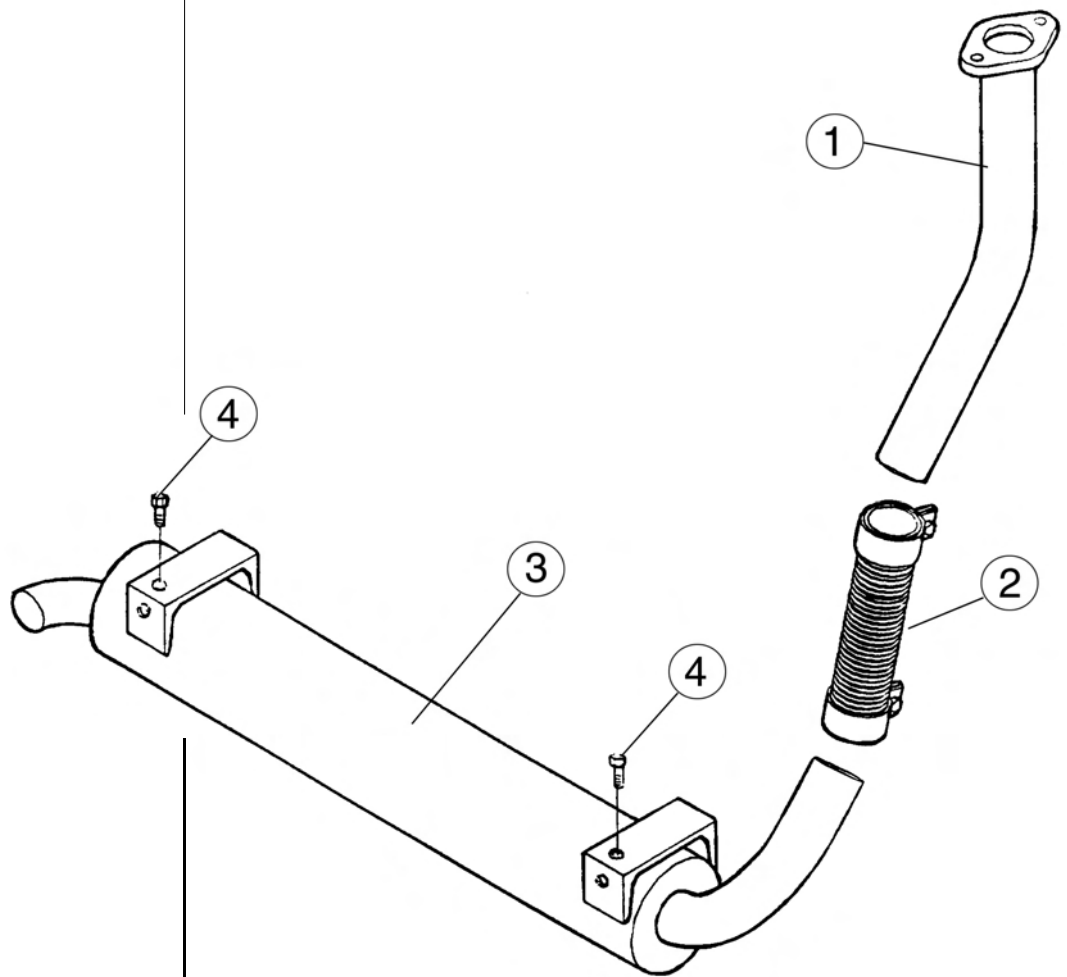
Fig. N° Fig. N°	Referencia Part N°	Cantidad Quantity
1	43.00121.00	1
2	105.06000.66	6
3	603.06020.86	6
4	905.40000.00	1
5	309.17012.00	1
6	43.00201.00	1
7	43.00202.00	1
8	105.10000.66	6
9	603.10020.86	6
10	402.08020.00	2



Motor Engine

Silenciador
Silencer

Fig. N° Fig. N°	Referencia Part N°	Cantidad Quantity
1	60.00136.01	1
2	43.10298.01	1
3	60.00123.03	1
4	603.08020.86	1

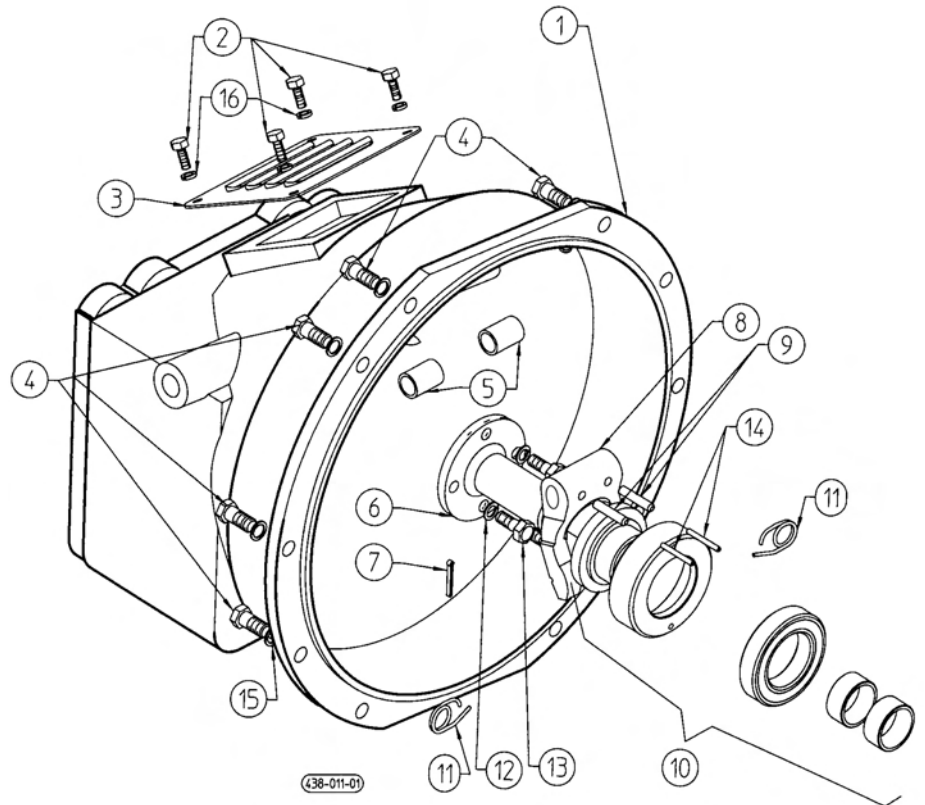




Transmisión *Transmission*

Campana embrague
Clutch bell housing

Fig. N° Fig. N°	Referencia Part N°	Cantidad Quantity
1	52.00211.01	1
2	603.06010.86	4
3	15.00213.10	1
4	601.10030.86	12
5	940.25018.00	2
6	01.00235.00	1
7	401.03030.60	2
8	01.00222.02	1
8	15.00301.03	1 KIT
9	402.06030.00	2
10	45.04204.02	1
11	01.00220.01	2
12	105.08000.66	4
13	603.08020.86	4
14	402.06030.00	2
15	104.10000.66	12
16	105.06000.66	4

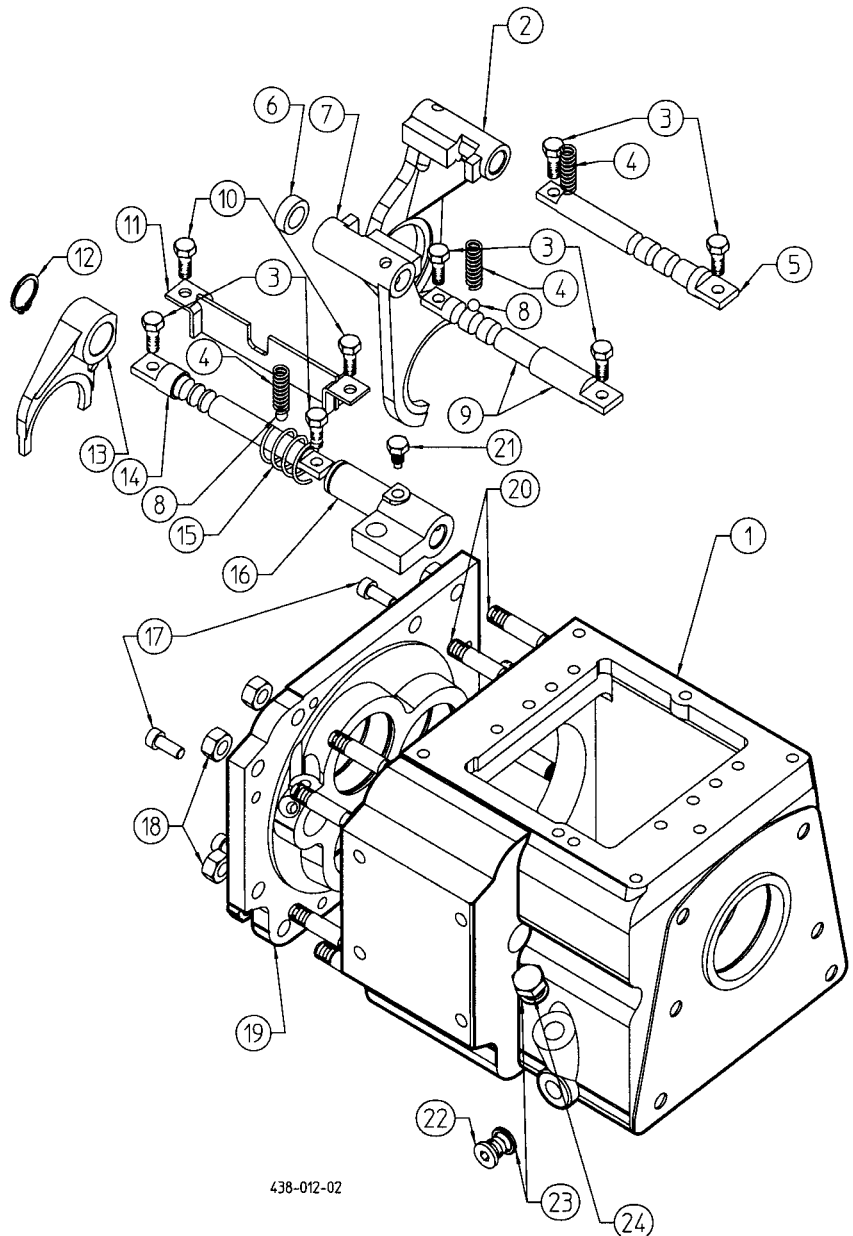


Transmisión

Transmission

Caja velocidades
Gear box

Fig. N° Fig. N°	Referencia Part N°	Cantidad Quantity	Fig. N° Fig. N°	Referencia Part N°	Cantidad Quantity
1	15.00348.01	1	14	43.01626.01	1
2	43.01653.00	1	15	43.01656.00	1
3	01.01205.00	6	16	43.01654.00	1
4	15.00315.00	3	17	601.08020.86	3
5	43.01628.00	1	18	701.12000.66	9
6	43.01616.00	1	19	15.00349.10	1
7	43.01652.01	1	20	08.00313.00	9
8	908.08000.00	3	21	43.01655.00	1
9	43.01614.00	1	22	10.00921.00	1
10	603.08025.00	2	23	106.14000.66	2
11	43.01661.00	1	24	80.01035.01	1
12	904.23000.00	1			
13	43.01651.01	1			





Transmisión

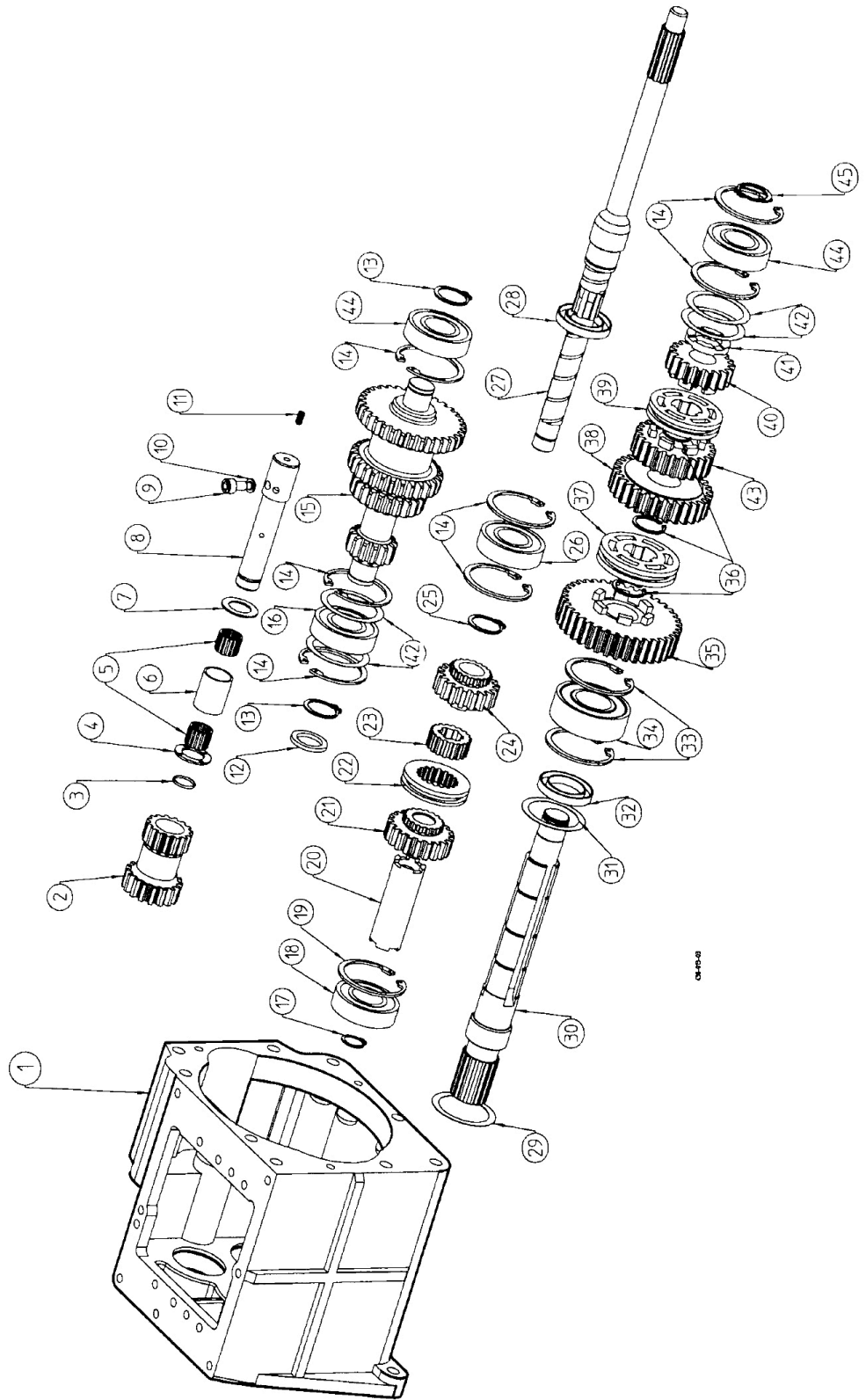
Transmission

Cambio velocidades
Speed gear

Fig. N° Fig. N°	Referencia Part N°	Cantidad Quantity
1	15.00348.01	1
2	43.01625.00	1
3	201.18002.50	1
4	43.01635.00	1
5	308.22017.00	2
6	43.01632.00	1
7	43.01631.00	1
8	43.01633.00	1
9	15.00344.00	1
10	104.08000.00	1
11	612.06010.86	1
12	01.03923.00	1
13	904.25000.00	2
14	905.62000.00	7
15	43.01634.01	1
16	306.25017.00	1
17	937.20175.00	1
18	306.20015.00	1
19	905.52000.00	1
20	43.01650.00	1
21	43.01615.00	1
22	43.00354.00	1
23	45.00374.00	1
24	43.01620.00	1
25	904.30000.00	1
26	301.30016.00	1
27	43.01610.00	1
28	202.34075.00	1
29	10.13241.00	1
30	43.70351.00	1
31	10.13242.00	1
32	202.40010.50	1
33	905.72000.00	2
34	316.35023.00	1
35	43.01637.02	1
36	937.32002.00	3
37	43.01645.00	-01
38	43.01638.00	1
39	43.01644.00	-01
40	43.01640.00	1
41	43.01642.00	1
42	15.03582.00	0,2
42	15.03583.00	0,3
42	15.03584.00	0,4
43	43.01639.00	1
44	301.25017.00	2
45	937.25002.00	1

Transmisión *Transmission*

Cambio velocidades
Speed gear



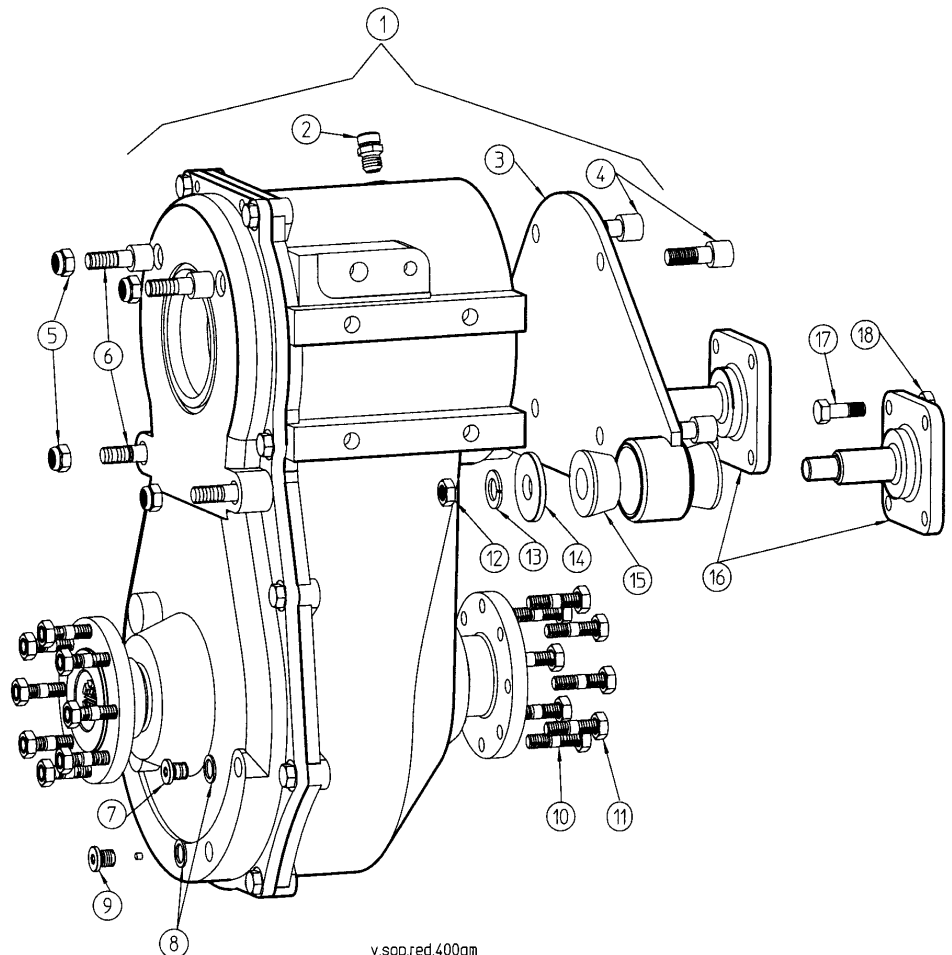


Transmisión

Transmission

Soporte reductor
Reductor support

Fig. Nº Fig. Nº	Referencia Part Nº	Cantidad Quantity
1	60.31300.00	1 250-300
1	60.22300.00	1 350
1	60.21300.00	1 400
2	52.00365.00	1
3	60.03300.00	1
4	601.12030.86	2
4	601.12035.86	2
5	105.12000.66	4
6	601.12040.86	4
7	80.01035.01	1
8	107.14000.10	3
9	10.00921.00	1
10	15.01034.00	16
11	709.10000.66	16
12	708.16000.66	2
13	105.16000.66	2
14	15.00374.00	2
15	15.00113.00	4
16	15.00373.00	2
17	604.10030.86	8
18	701.10000.66	8

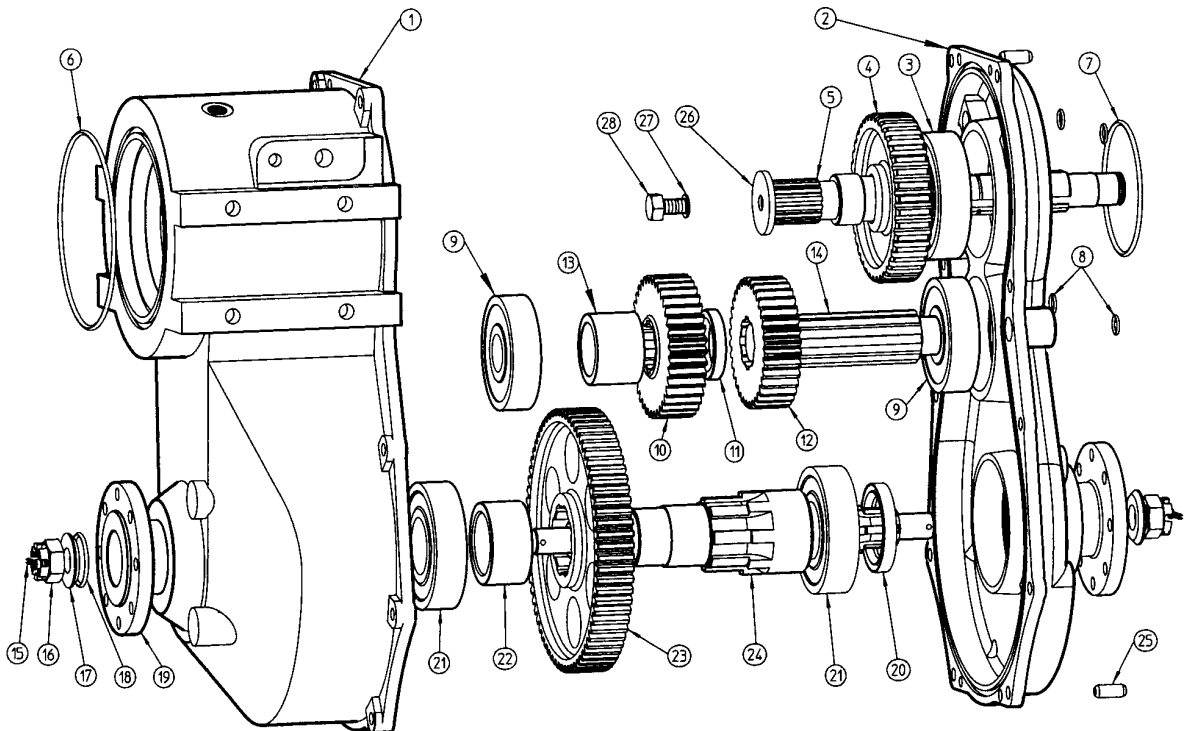


v.sop.red.400am

Transmisión *Transmission*

Reductor
Reductor

Fig. N° Fig. N°	Referencia Part N°	Cantidad Quantity	Fig. N° Fig. N°	Referencia Part N°	Cantidad Quantity
1	43.00190.00	1	19	43.70610.00	2
2	43.00191.00	1	20	205.50010.50	2
3	301.45025.00	1	21	301.45025.00	2
4	43.70352.00	1 250-300	22	43.70387.00	1
4	43.70295.00	1 350-400	23	60.03074.00	1 250-300
5	43.70351.00	1	23	60.00297.00	1 350
6	201.15035.00	1	23	43.70385.00	1 400
7	201.10035.50	1	24	43.70806.00	1
8	201.11275.50	4	25	403.10024.00	2
9	301.30023.00	2	26	43.70404.00	1
10	60.03030.00	1 250-300	27	105.12000.66	1
10	43.70354.00	1 350	28	603.12020.86	1
10	43.70384.00	1 400			
11	43.70380.00	1			
12	43.70383.00	1			
12	43.70382.00	1			
13	43.70381.00	1			
14	43.70360.00	1			
15	401.35040.60	2			
16	710.20000.66	2			
17	15.00368.00	2			
18	201.37003.50	2			



v.reductor.400am

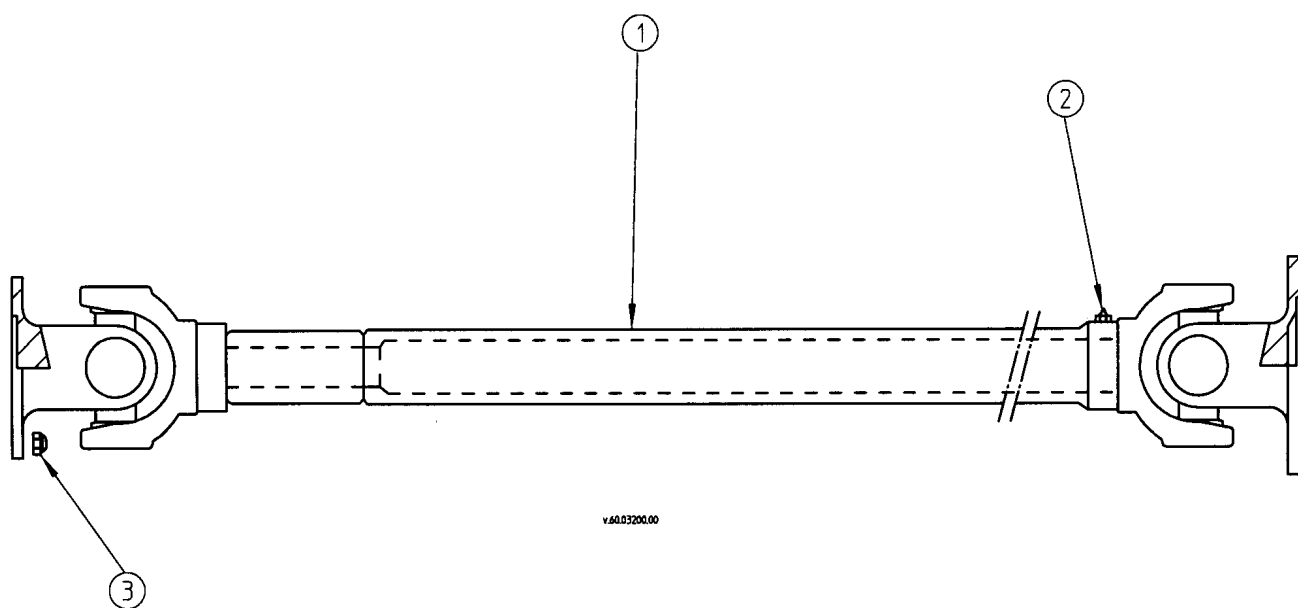


Transmisión

Transmission

Fig. N° Fig. N°	Referencia Part N°	Cantidad Quantity
1	60.03200.00	1
2	901.06000.66	1
3	718.08000.66	4

Junta cardan (puente delantero)
Universal drive joint (front axle)

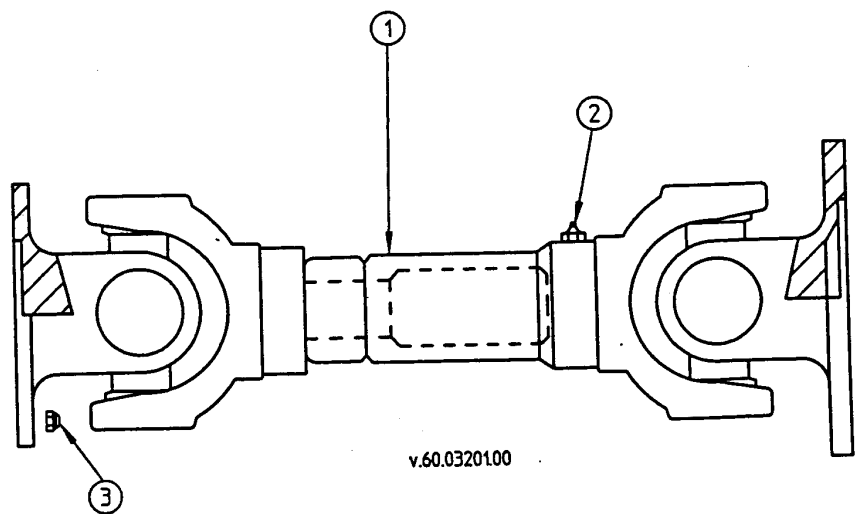


Transmisión

Transmission

Junta cardan (puente trasero)
Universal drive joint (rear axle)

Fig. N° Fig. N°	Referencia Part N°	Cantidad Quantity
1	60.03201.00	1
2	945.10000.00	1
3	718.08000.66	4

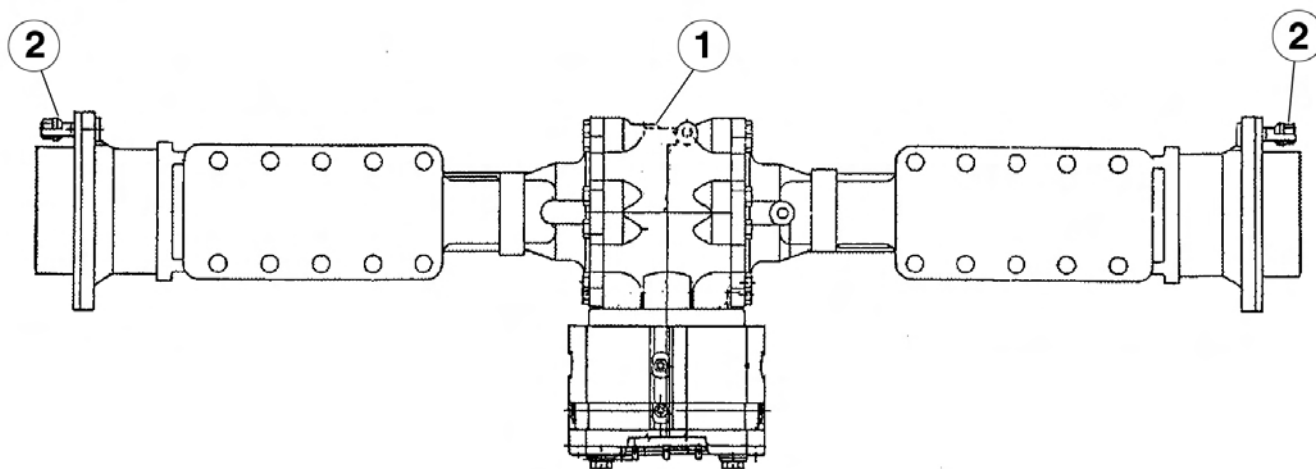




Transmisión *Transmission*

Puente delantero
Front axle

Fig. N° Fig. N°	Referencia Part N°	Cantidad Quantity
1	60.10400.00	1
2	15.00453.00	12

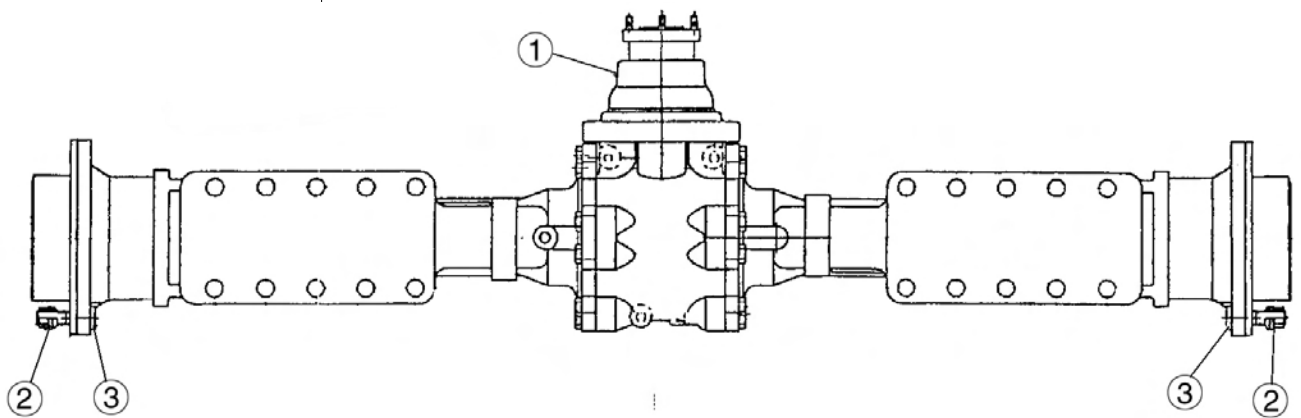


Transmisión

Transmission

Puente trasero
Rear axle

Fig. N° Fig. N°	Referencia Part N°	Cantidad Quantity
1	60.10500.00	1
2	15.00453.00	12
3	15.00452.00	12

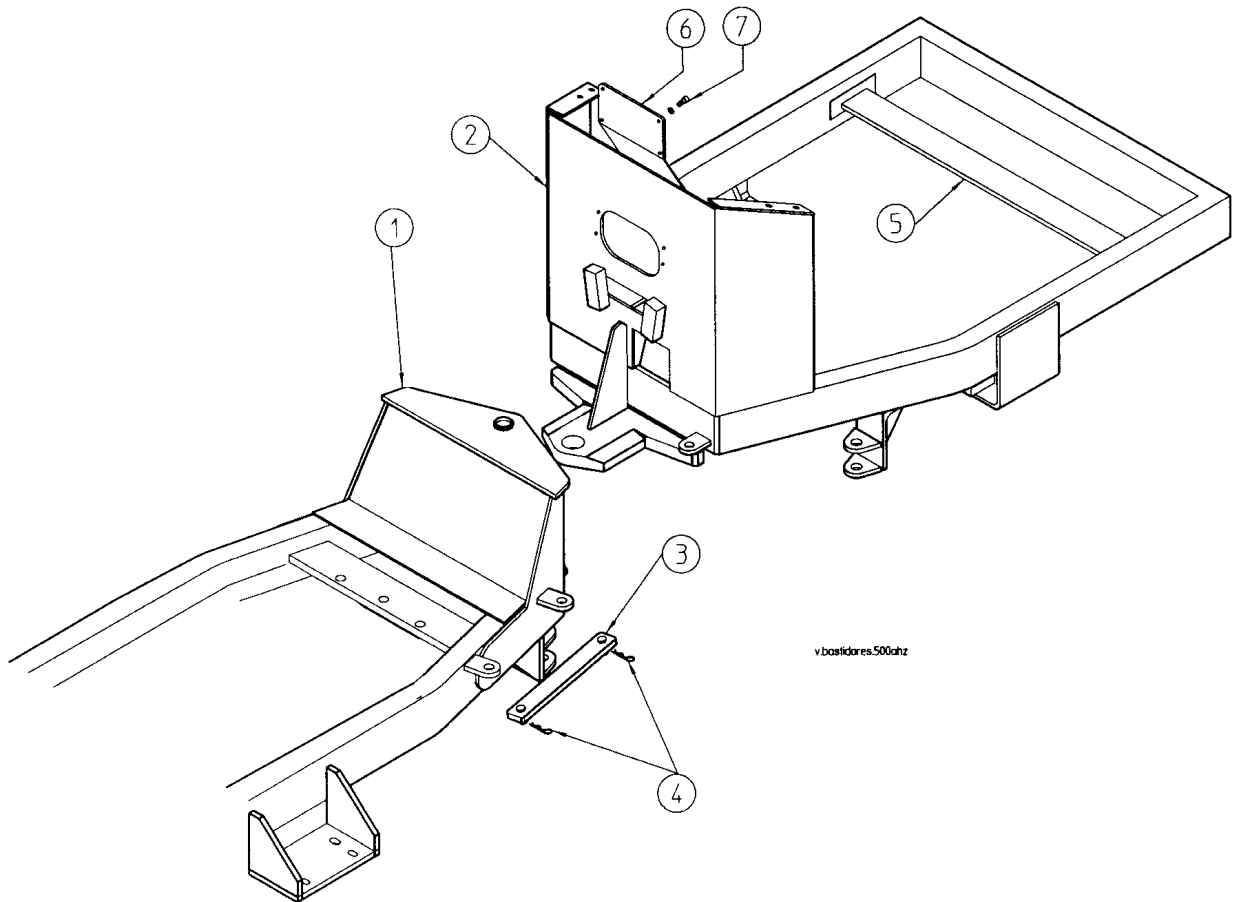




Bastidor Chassis

Bastidores
Chassis

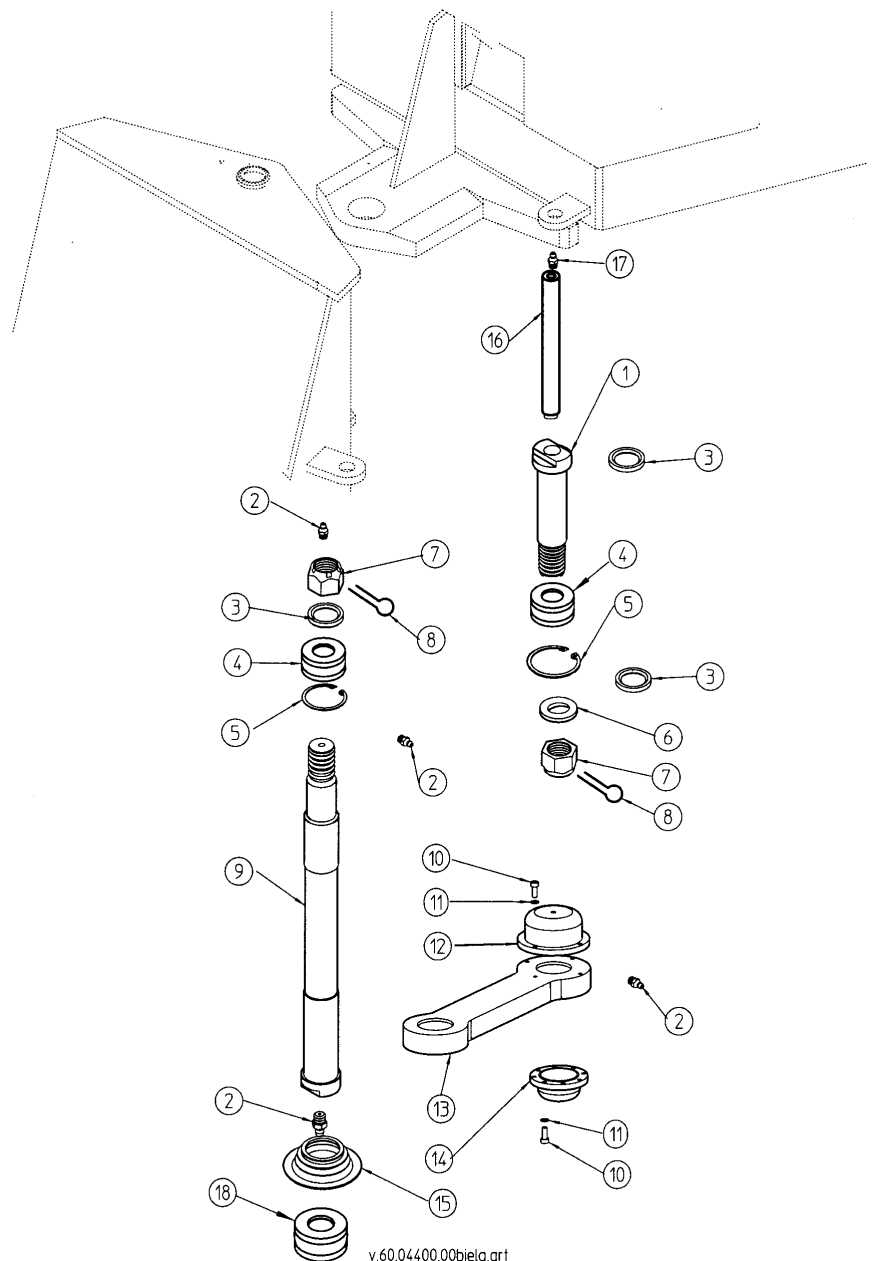
Fig. N° Fig. N°	Referencia Part N°	Cantidad Quantity
1	60.12800.03	1 AM
1	60.10800.04	1 AMG
2	60.20800.04	1 AM-AMG
3	59.00809.00	1
4	15.00836.01	2
5	60.00880.00	1
6	60.08001.00	1
7	603.08015.86	4



Bastidor Chassis

Biela del bastidor
Chassis connecting rod

Fig. N° Fig. N°	Referencia Part N°	Cantidad Quantity	Fig. N° Fig. N°	Referencia Part N°	Cantidad Quantity
1	61.01396.00	1	12	60.10804.03	1
2	901.08000.33	4	13	60.00801.01	1
3	61.11396.00	3	14	60.11804.01	1
4	941.40040.00	2	15	60.05510.02	1
5	905.68000.00	2	16	61.01397.00	1
6	101.30000.66	2	17	901.10000.33	1
7	01.01396.01	2	18	941.50056.00	1
8	401.04050.60	2			
9	60.10396.03	1			
10	601.06025.86	12			
11	105.06000.66	12			



v.60.04400.00biela.art

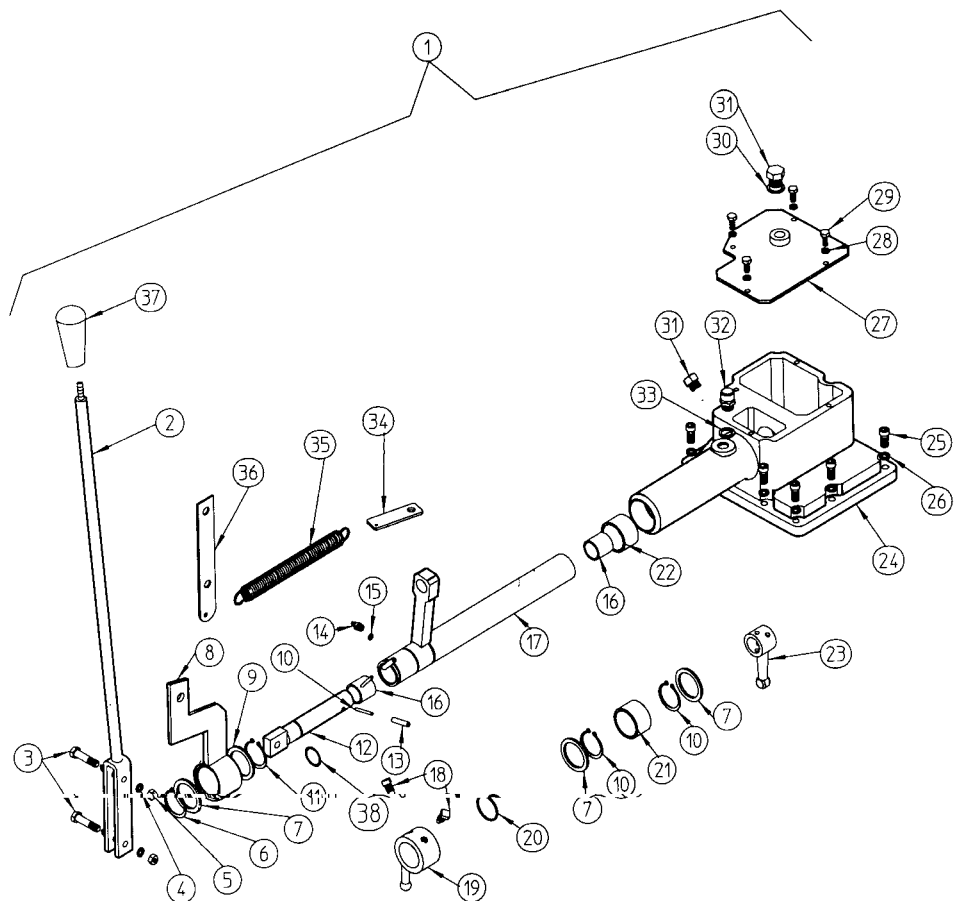


Mando caja velocidades

Speeds box control

Palancas mandos velocidades
Gears levers

Fig. N° Fig. N°	Referencia Part N°	Cantidad Quantity	Fig. N° Fig. N°	Referencia Part N°	Cantidad Quantity
1	60.10307.01	(1)	21	43.00333.00	1
2	60.10343.02	1	22	43.00333.01	2
3	604.09040.86	2	23	4301608.00	1
4	105.09000.66	2	24	43.00310.02	1
5	711.09000.66	2	25	601.08030.86	8
6	904.35000.00	1	26	105.08000.66	8
7	43.00330.00	2	27	60.00311.00	1
8	45.00338.10	1	28	603.06010.86	4
9	43.00330.01	var.	29	105.06010.86	4
9	43.00330.02	var.	30	107.14000.10	2
10	402.03030.00	2	31	80.01035.00	2
11	904.35000.00	1	32	52.00365.00	1
12	60.01606.00	1	33	28.00341.00	1
13	402.06030.00	2	34	58.04113.00	1
14	901.08000.33	2	35	46.00322.00	1
15	01.00541.00	1	36	59.00927.00	1
16	923.22025.00	2	37	01.00325.02	1
17	60.10341.01	1	38	201.19002.50	1
18	01.00319.00	2			
19	43.01609.01	1			
20	201.32002.50	1			

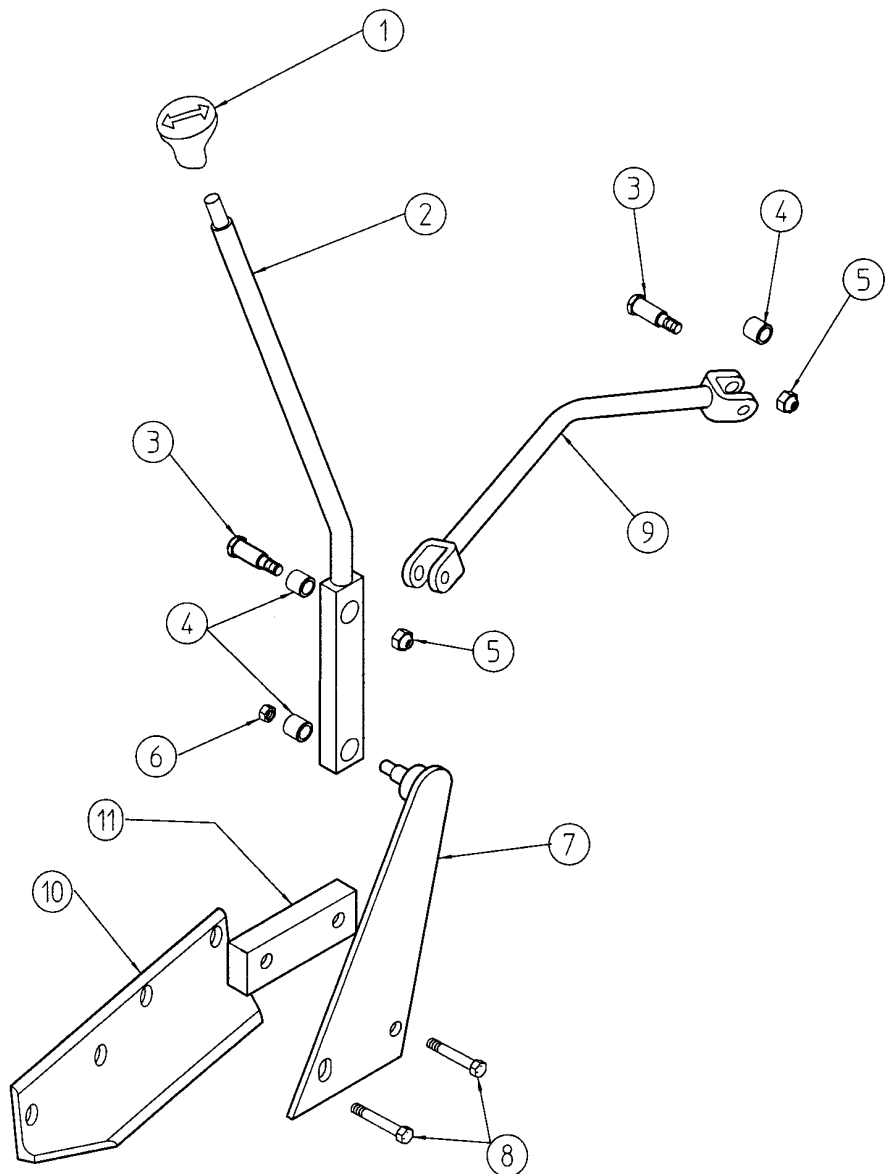


Mando caja velocidades

Speeds box control

Palanca reenvio
Gears reversing lever

Fig. N° Fig. N°	Referencia Part N°	Cantidad Quantity
1	01.00325.00	1
2	60.00127.00	1
3	01.00309.00	2
4	01.00308.00	3
5	711.00308.00	2
6	701.08000.66	1
7	60.00126.00	1
8	603.10055.86	2
9	60.00323.01	1
10	60.03126.00	1
11	60.03127.00	1

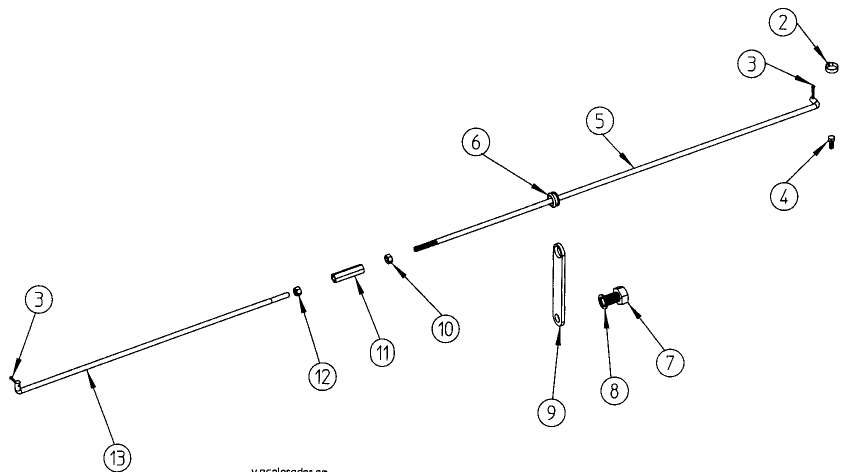
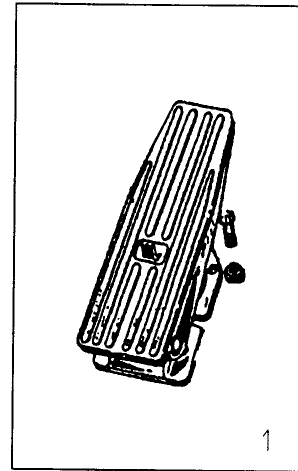




Acelerador Accelerator

Mandos acelerador
Accelerator controls

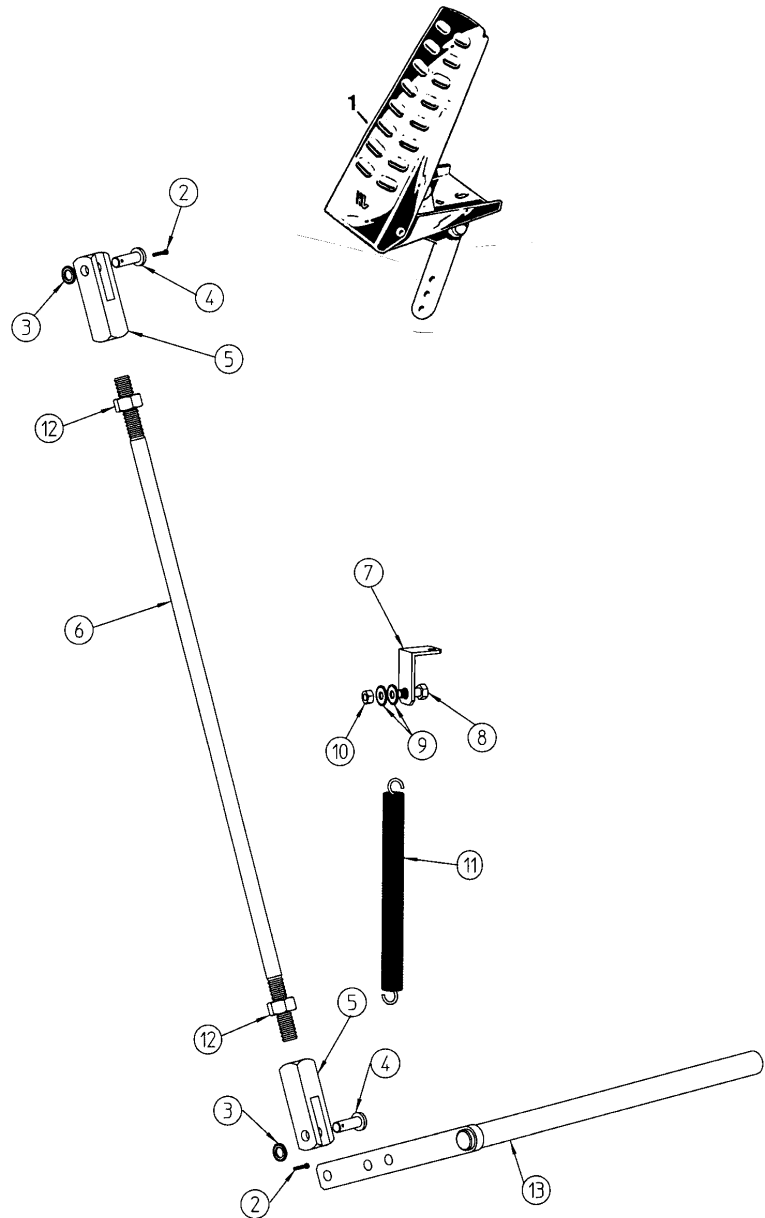
Fig. N° Fig. N°	Referencia Part N°	Cantidad Quantity
1	43.70127.00	1
2	912.08016.66	1
3	401.02020.66	2
4	603.08015.86	1
5	45.00126.00	1
6	16.01155.00	1
7	603.10015.86	1
8	105.10000.66	1
9	60.00173.00	1
10	701.06000.66	1
11	01.00133.00	1
12	01.00138.00	1
13	53.00152.00	1



Embrague Clutch

Mandos embrague
Clutch controls

Fig. N° Fig. N°	Referencia Part N°	Cantidad Quantity
1	43.80250.01	1
2	401.02020.60	2
3	101.08000.66	2
4	01.00514.01	2
5	15.00719.10	2
6	60.10737.02	1
7	45.04113.00	1
8	603.06025.86	1
9	112.06000.66	2
10	701.06000.66	1
11	60.00322.00	1
12	701.12000.66	2
13	15.00301.05	1 KIT

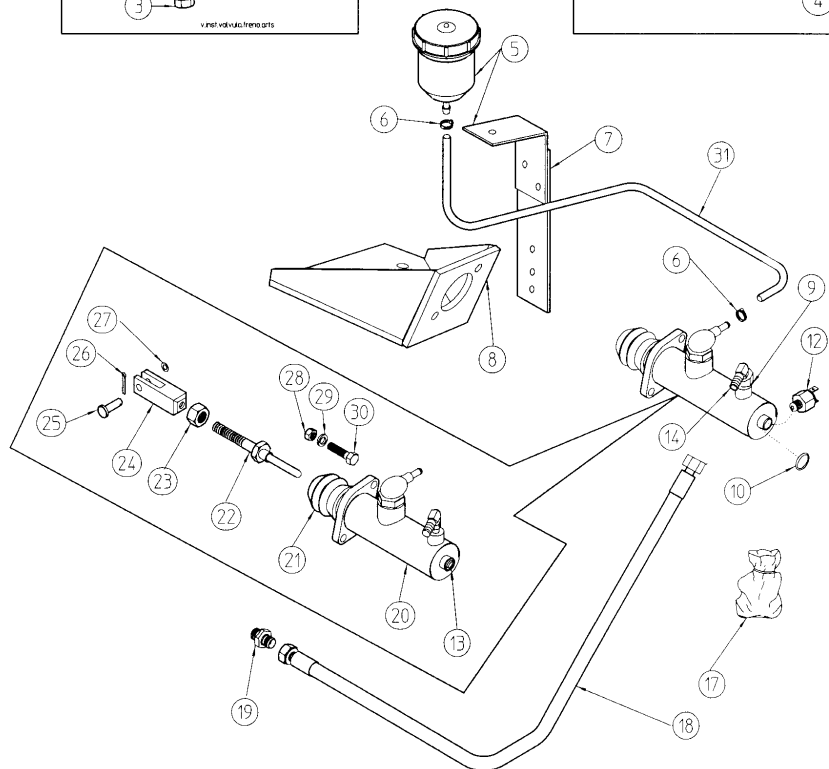
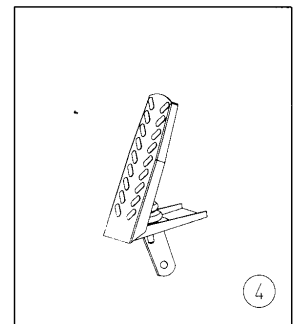
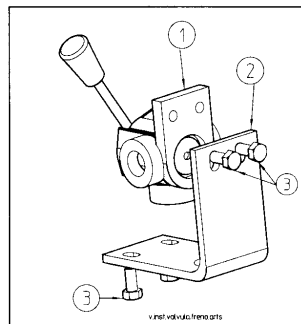




**Accionamiento
freno
Brake
Actionament**

Instalación frenos
Brake installation

Fig. N° Fig. N°	Referencia Part N°	Cantidad Quantity	Fig. N° Fig. N°	Referencia Part N°	Cantidad Quantity
1	43.10755.02	1	16	43.50755.27	1
2	60.13115.00	1	17	55.00770.03	1
3	603.08020.86	4	18	60.13200.02	1
4	43.80250.01	1	19	52.01441.00	1
5	43.00751.01	1	20	60.00747.00	1
6	912.08000.66	2	21	55.00769.01	1
7	60.08220.01	1	22	43.00576.11	1
8	60.08274.01	1	23	01.01304.00	1
9	106.10000.20	1	24	01.00564.01	1
10	28.00343.00	1	25	01.00514.01	1
11	55.00759.00	1	26	401.02020.60	2
12	43.01520.00	1	27	101.08000.66	1
13	80.01090.00	1	28	701.08000.66	2
14	43.50704.00	1	29	105.08000.66	2
15	55.00758.00	1	30	603.08030.86	2
			31	43.00750.00	1

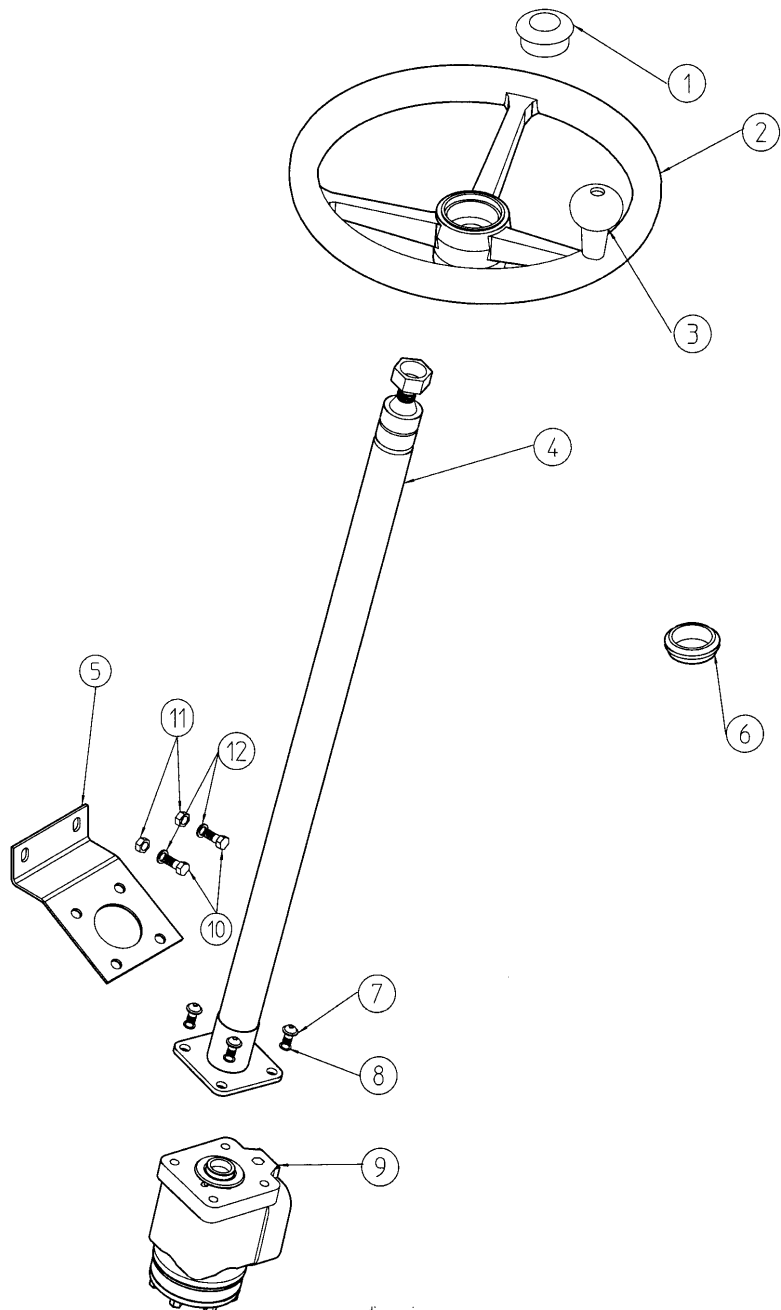


Dirección

Steering

Dirección
Steering

Fig. N° Fig. N°	Referencia Part N°	Cantidad Quantity
1	00.00626.03	1
2	15.01016.01	1
3	15.10160.01	1
4	55.10680.00	1
5	55.09062.00	1
6	15.20727.00	1
7	630.10030.96	4
8	105.10000.66	4
9	60.10030.00	1
10	60.09822.00	1
11	701.08000.66	2
12	105.08000.66	2
13	603.08020.86	2

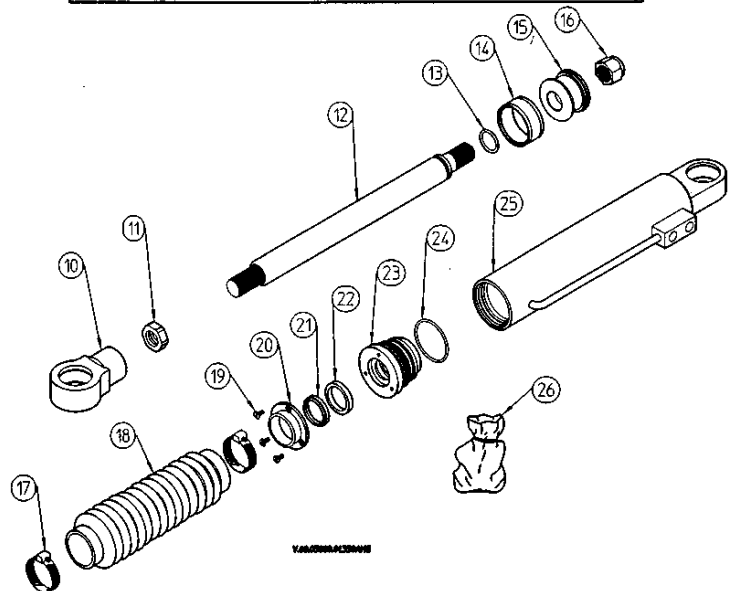
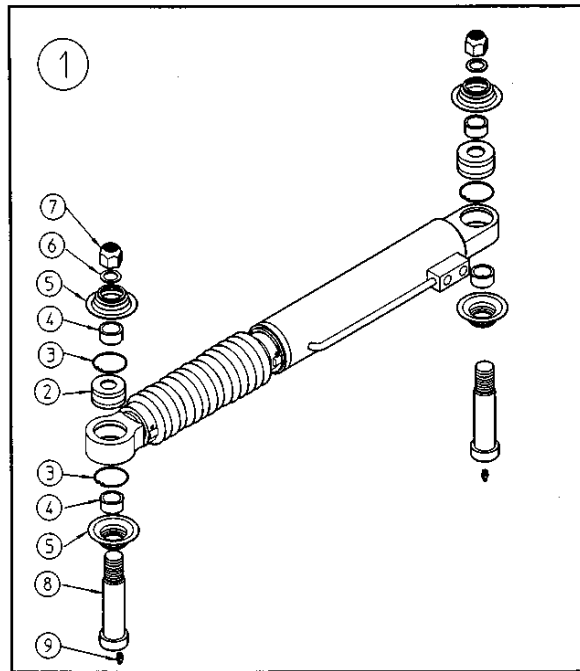




Dirección Steering

Cilindro dirección
Steering cylinder

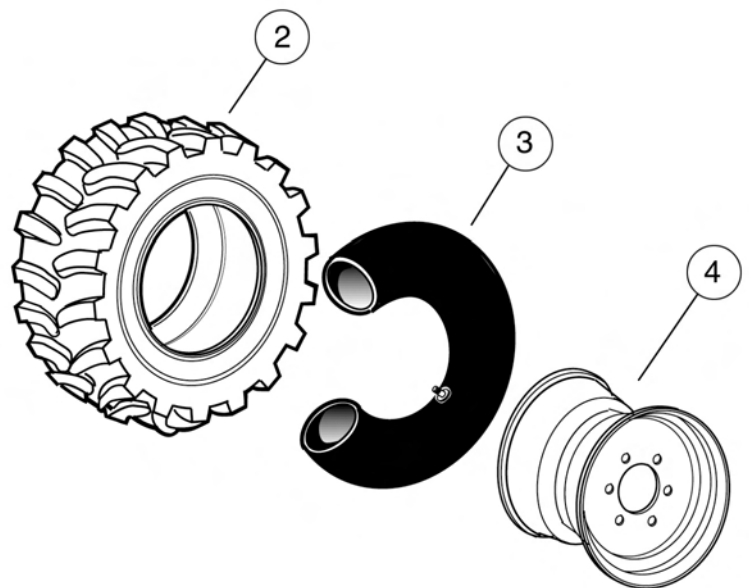
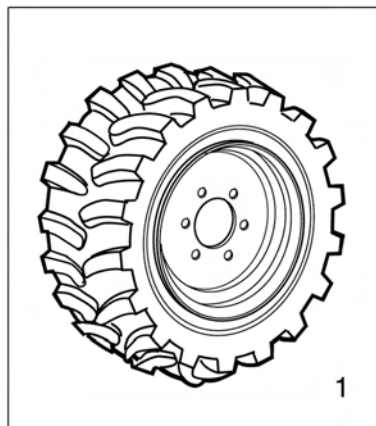
Fig. N° Fig. N°	Referencia Part N°	Cantidad Quantity	Fig. N° Fig. N°	Referencia Part N°	Cantidad Quantity
1	60.05000.01	1	14	207.63025.50	1
2	941.25028.00	1	15	53.01161.00	1
3	914.47000.00	2	16	720.27000.66	1
4	60.11396.01	2	17	920.50000.66	2
5	60.05510.00	2	18	60.05500.00	1
6	101.22000.66	3	19	624.05010.86	2
7	720.22000.66	6	20	60.01164.00	1
8	60.01396.01	1	21	228.03606.50	1
9	901.08000.33	1	22	229.03610.50	1
10	60.01115.00	2	23	42.20330.01	1
11	54.01117.00	3	24	201.58003.50	1
12	60.51157.00	1	25	60.51159.11	1
13	201.028535.50	1	26	60.99100.01	1



Ruedas Wheels

Ruedas
Wheels

Fig. N° Fig. N°	Referencia Part N°	Cantidad Quantity
1	15.00901DE05	4 (250)
1	15.00901IZ05	4
2	16.00913.02	4
3	15.00912.01	4
4	43.00911.00	4
1	43.00903DE00	4 (300/350/400)
1	43.00903IZ00	4
2	43.00913.01	4
3	43.00912.00	4
4	43.00911.00	4



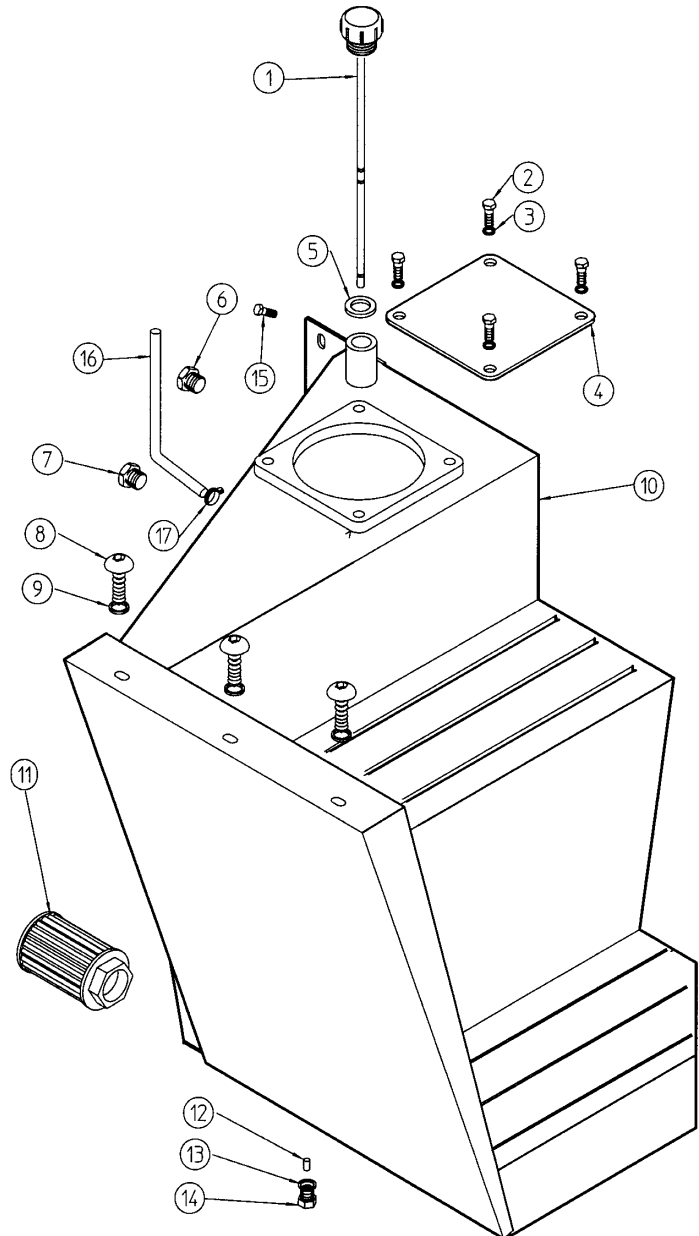


Carrocería

Body

Depósito aceite
Oil tank

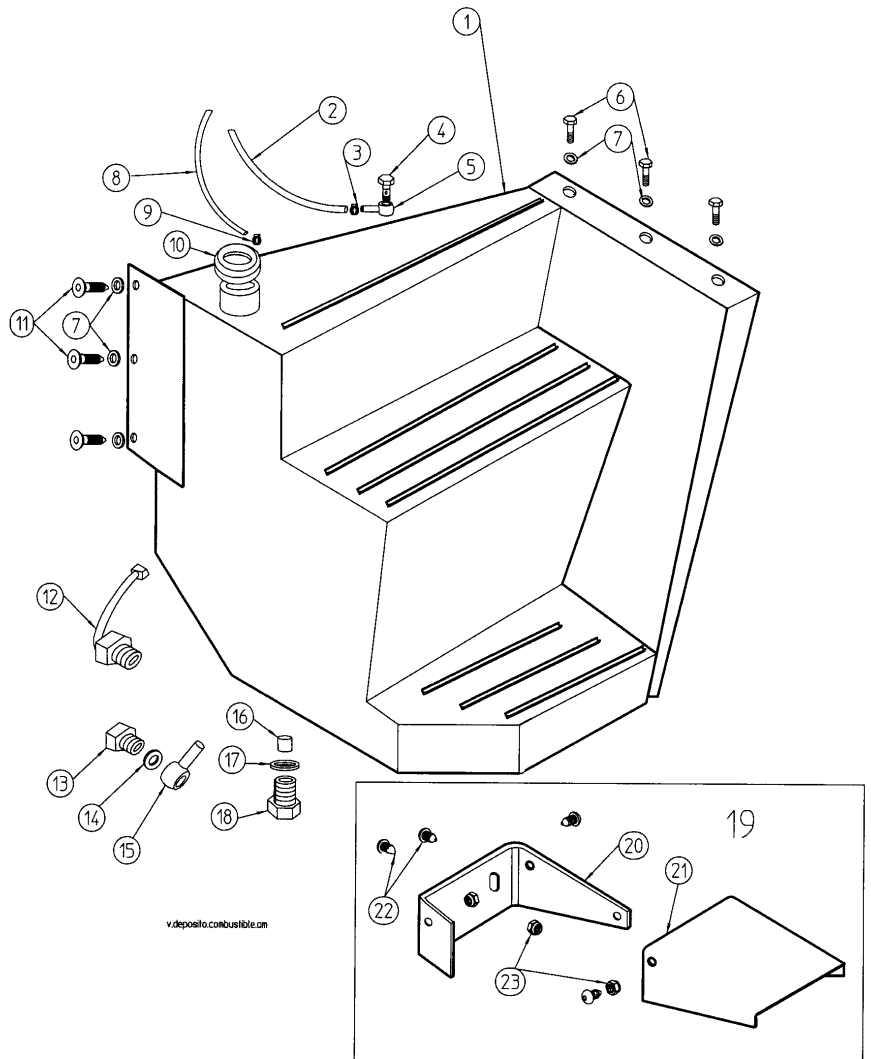
Fig. N° Fig. N°	Referencia Part N°	Cantidad Quantity	Fig. N° Fig. N°	Referencia Part N°	Cantidad Quantity
1	09.00631.00	1	10	60.01430.03	1
2	603.10025.86	4	11	08.00360.01	1
3	105.10000.66	4	12	01.00335.00	1
4	60.11460.01	1	13	107.14000.10	1
5	08.00316.00	1	14	00.02803.00	1
6	45.10803.10	1	15	630.08025.86	3
7	52.01451.00	2	16	15.10750.00	1
8	630.08020.96	3	17	948.00907.00	1
9	112.08000.66	6			



Carrocería Body

Depósito combustible
Fuel tank

Fig. N° Fig. N°	Referencia Part N°	Cantidad Quantity	Fig. N° Fig. N°	Referencia Part N°	Cantidad Quantity
1	60.01431.02	1	14	106.14000.66	1
2	43.00750.01	1	15	45.04106.00	1
3	938.08000.66	2	16	01.00335.00	1
4	80.06041.00	2	17	107.14000.10	1
5	45.04107.00	2	18	711.10000.66	1
6	603.08030.66	3	19	45.60002.01	1
7	112.08000.66	6	20	60.11939.00	1
8	15.10750.00	1	21	60.11706.00	1
9	948.00907.00	2	22	630.06020.86	4
10	15.01524.00	1	23	711.06000.66	4
11	630.08025.96	3			
12	43.06261.00	1			
13	52.00110.00	1			



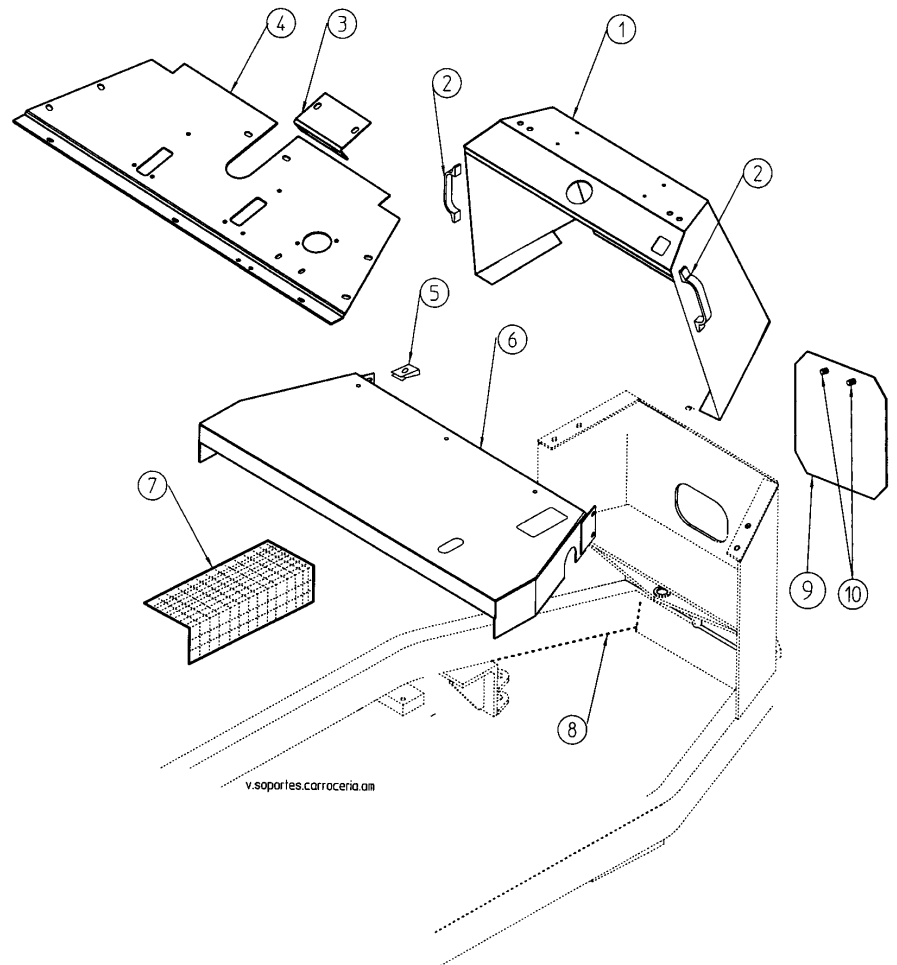


Carrocería

Body

Soportes
Supports

Fig. N° Fig. N°	Referencia Part N°	Cantidad Quantity
1	60.00753.02	1
2	46.09991.00	2
3	60.09823.00	1
4	60.00757.04	1
5	727.06004.86	3
6	60.00754.03	1
7	45.01465.00	2
8	60.20800.03	1
9	60.11230.00	1
10	603.08020.86	2

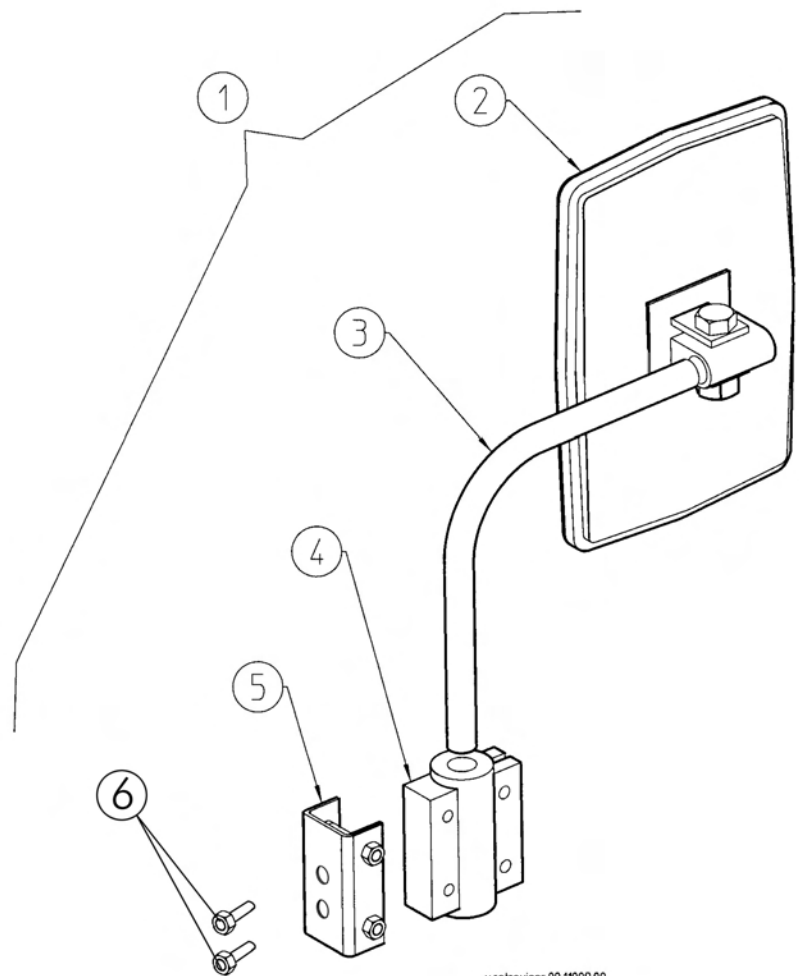


Carrocería

Body

Espejo retrovisor
Rear-vision mirror

Fig. N° Fig. N°	Referencia Part N°	Cantidad Quantity
1	09.11009.00	1
2	09.11013.00	1
3	09.11010.00	1
4	09.11011.00	4
5	09.11012.00	4
6	603.05015.86	2



v. retrovisor.09.11009.00

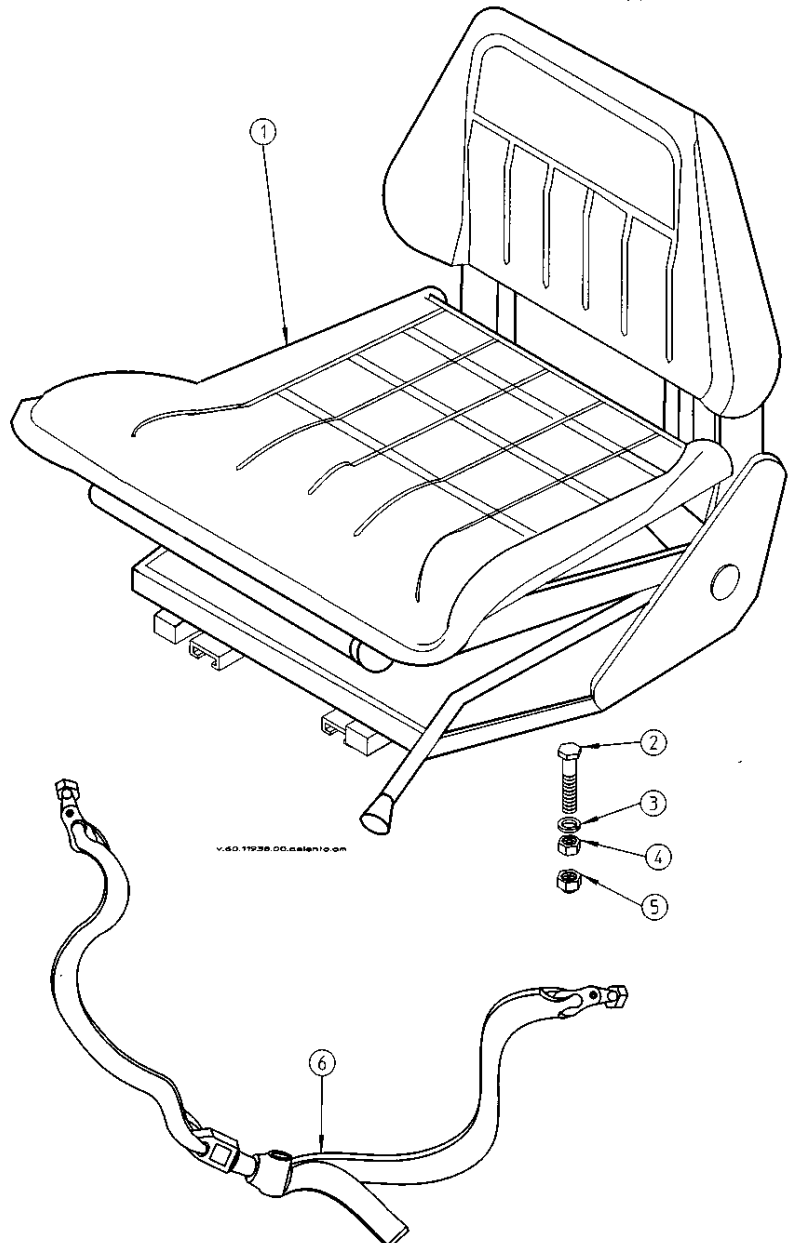


Carrocería

Body

Asiento
Seat

Fig. N° Fig. N°	Referencia Part N°	Cantidad Quantity
1	60.11938.00	1
2	630.10020.86	4
3	105.10000.66	4
4	701.10000.66	4
5	711.10000.66	4
6	45.60002.01	1

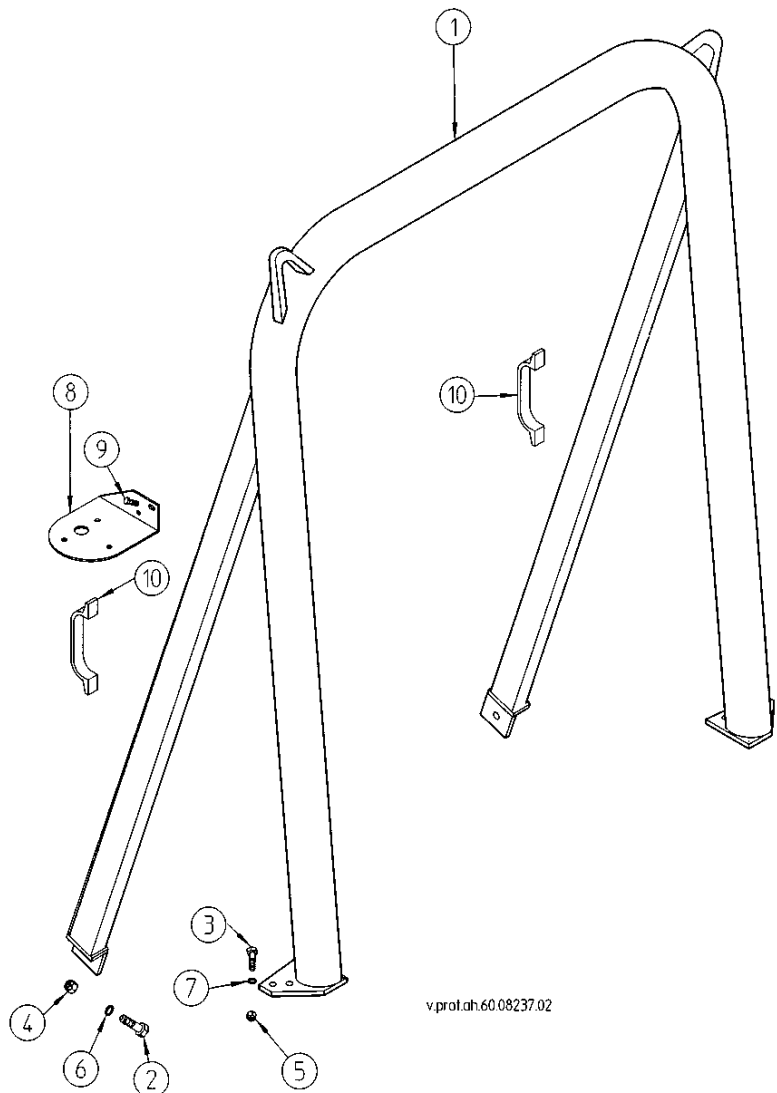


Carrocería

Body

Protector conductor
Driver protector

Fig. N° Fig. N°	Referencia Part N°	Cantidad Quantity
1	60.08237.02	1
2	604.14050.86	2
3	604.12040.86	6
4	701.14000.66	2
5	701.12000.66	6
6	105.14000.66	2
7	105.12000.66	6
8	01.00926.01	1
9	603.06020.86	2
10	46.09991.00	2



v.prol.ah.60.08237.02



Carrocería

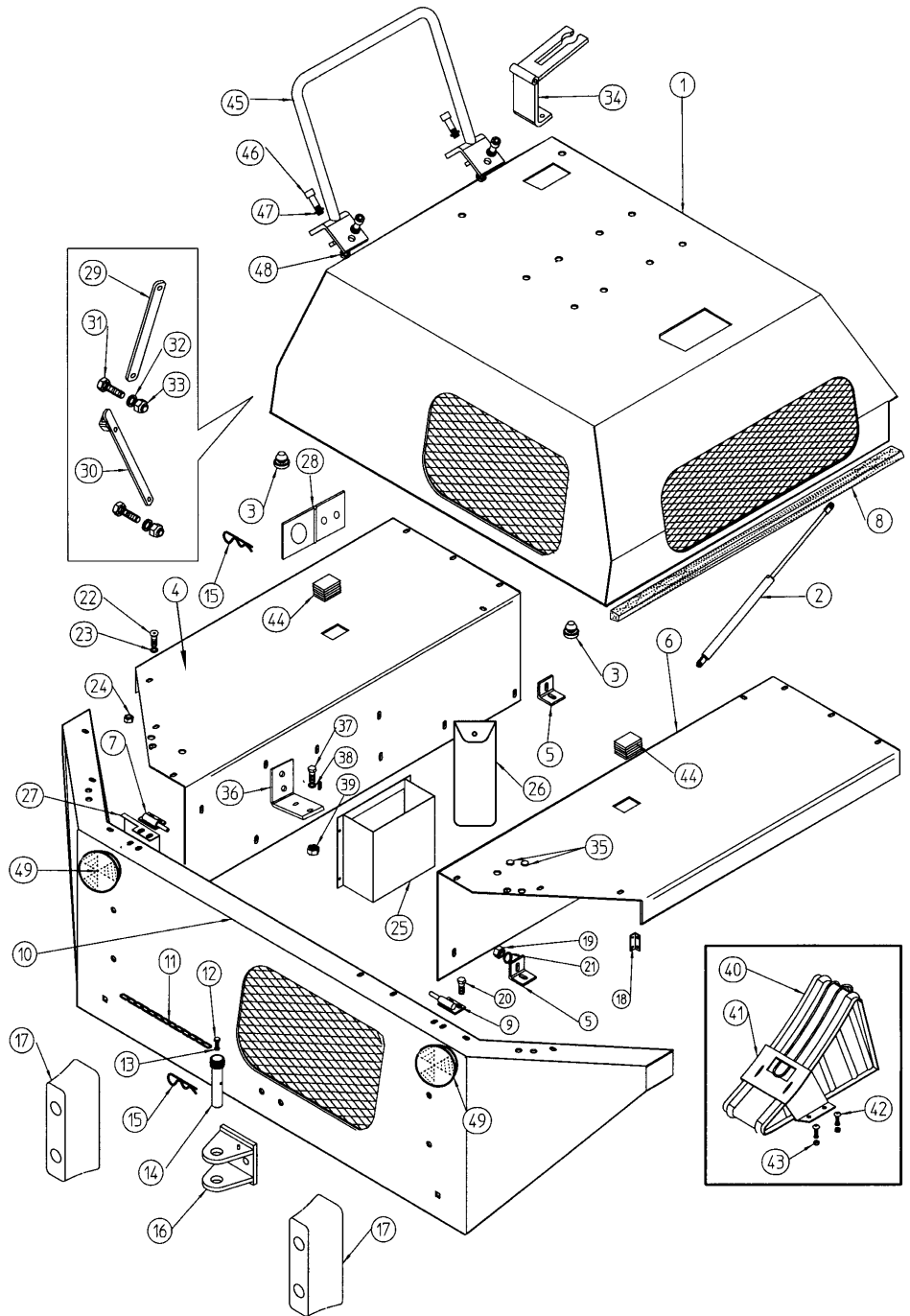
Body

Tapas y protectores
Covers and guards

Fig. Nº Fig. Nº	Referencia Part Nº	Cantidad Quantity
1	60.00755.04	1
2	58.10234.01	1
3	60.01926.00	2
4	60.10752.01	1
4	60.10752.02	1 (350)
5	15.01993.00	4
6	60.11752.00	1
6	60.11752.01	1 (350)
7	60.01755.00	1
8	15.38237.00	1
9	60.02755.00	1
10	60.00823.03	1
11	15.00834.00	1
12	603.06015.86	1
13	105.06000.66	1
14	15.00835.00	1
15	15.00836.00	1
16	15.08262.01	1
17	60.01923.00	2
18	15.00836.01	2
19	711.08000.66	4
20	603.08020.86	4
21	101.08000.66	8
22	630.08020.96	12
23	112.08000.66	12
24	701.08000.66	12
25	60.11830.00	1
26	01.00036.02	1
27	60.02823.00	1
28	60.11321.00	1
29	62.21532.00	1
30	62.21531.00	1
31	603.06020.86	2
32	105.06000.66	2
33	711.06000.66	2
34	60.01452.01	1
35	02.32016.00	2
36	43.40825.00	1
37	603.08020.86	4
38	105.08000.66	4
39	701.08000.66	4
40	60.01461.00	1
41	60.01462.00	1
42	630.08020.96	4
43	701.08000.66	4
44	60.12237.00	2
45	60.11250.00	1
46	630.08025.96	4
47	105.08000.66	4
48	701.08000.66	4
49	46.01532.00	2

Carrocería Body

Tapas y protectores
Covers and guards



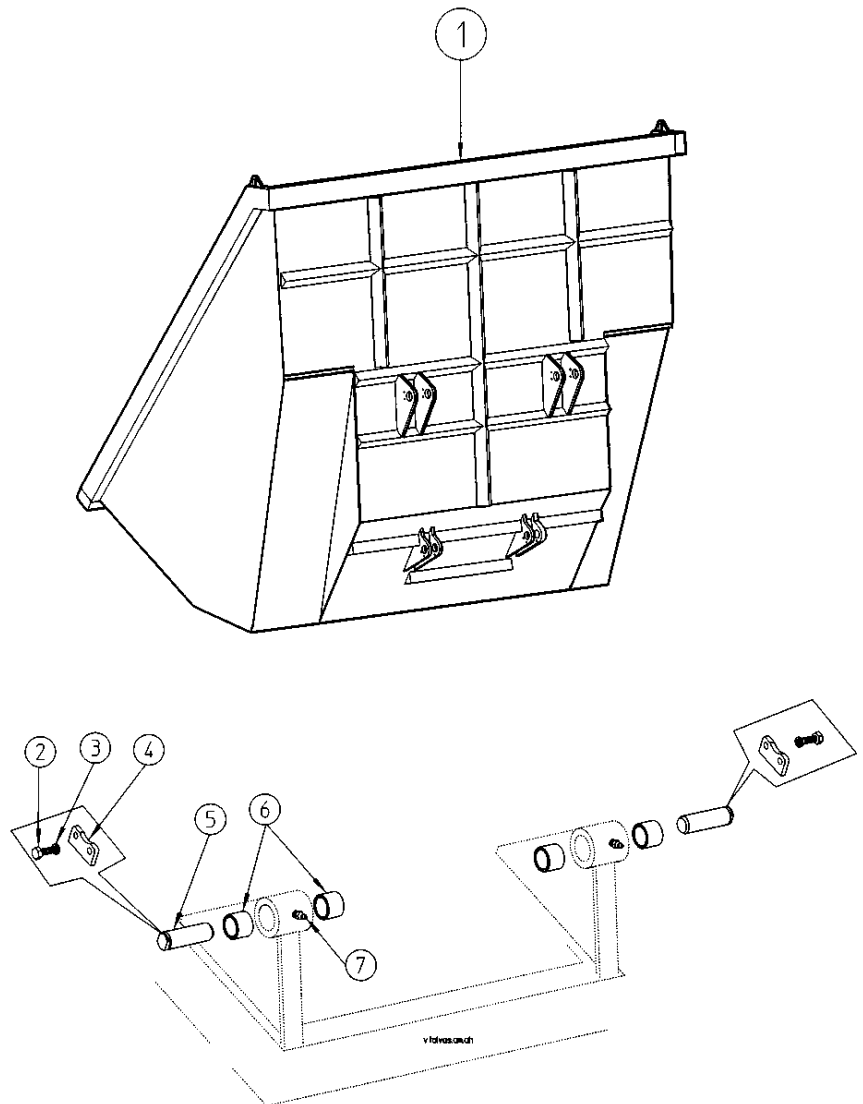


**Implementos
funcionamiento
máquina**

*Machine
operation tools*

Tolva
Hopper

Fig. N° Fig. N°	Referencia Part N°	Cantidad Quantity
1	61.08300.01	1 350AM
1	55.00830.03	1 350AMG
1	60.08300.02	1 250-300AM
1	55.00830.22	1 250-300AMG
1	60.12831.00	1 400AM
1	60.12830.00	1 400AMG
2	603.06015.86	4
3	105.06000.66	4
4	15.00832.00	2
5	15.00831.00	2
6	15.08141.00	4
7	901.08000.33	2

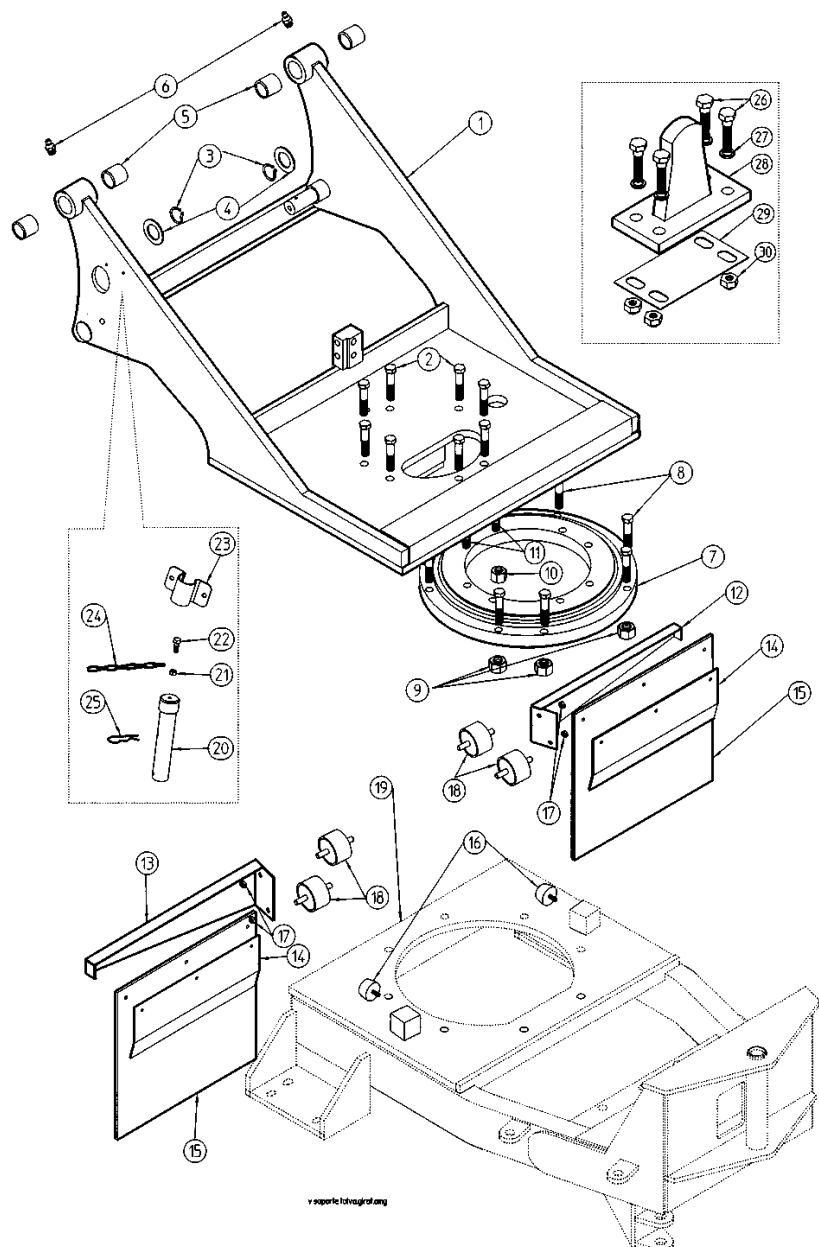


Implementos funcionamiento máquina

Machine operation tools

Soporte tolva giratorio
Rotating hopper support

Fig. N° Fig. N°	Referencia Part N°	Cantidad Quantity	Fig. N° Fig. N°	Referencia Part N°	Cantidad Quantity
1	55.01110.24	1	16	08.00107.00	2
2	604.18090.86	8	17	701.05000.66	4
3	904.35000.00	2	18	60.11035.00	4
4	101.36000.66	2	19	60.10800.03	1
5	15.08141.00	4	20	15.00835.02	1
6	901.08000.33	2	21	701.05000.66	1
7	55.00125.00	1	22	603.06015.86	1
8	604.16075.86	6	23	09.11075.00	1
9	701.16000.66	6	24	15.00834.01	1
10	701.18000.66	8	25	15.00836.00	1
11	601.18060.86	2	26	603.10035.00	4
12	60.10912.00	1 350AMG	27	105.10000.66	4
13	60.10913.00	1 350AMG	28	60.03560.01	1
14	60.10902.00	2	29	60.03565.00	5
15	60.10903.00	2	30	711.10000.66	4

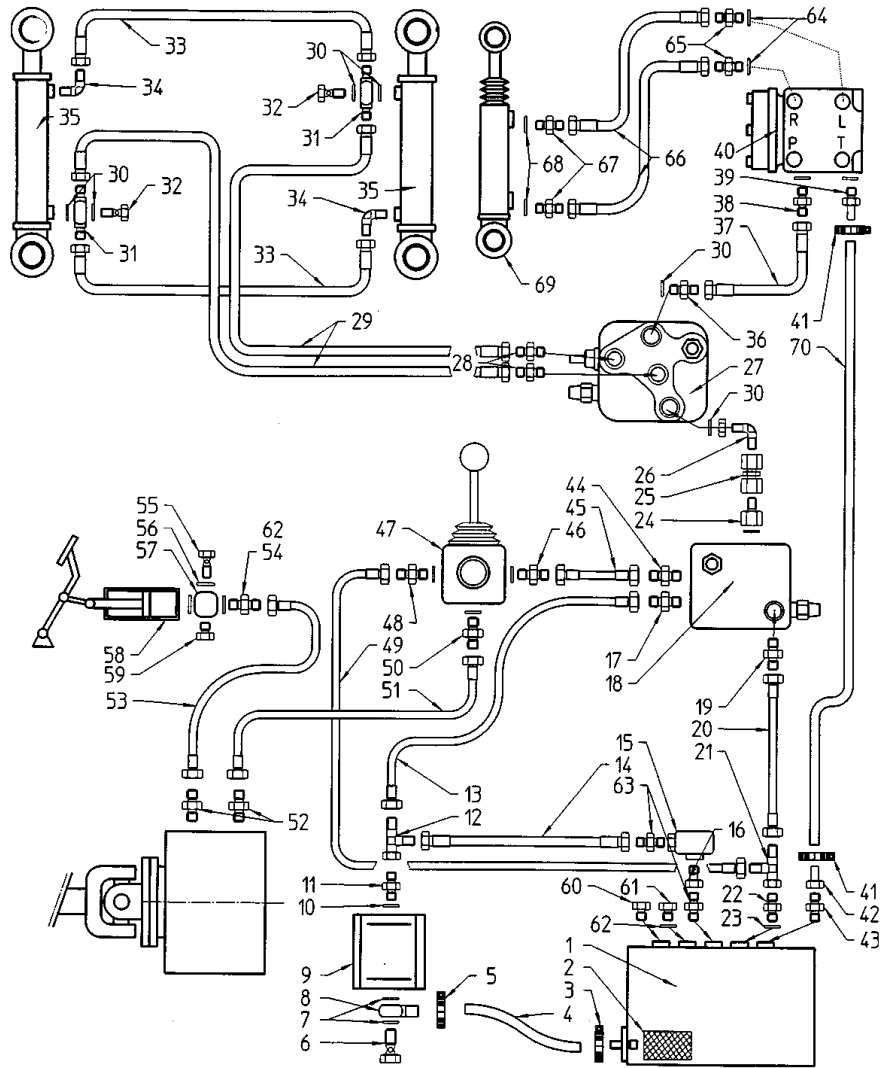




**Instalación
circuito
hidráulico**

**Hydraulic
circuit
installation**

Accionamiento (AM)
Actionnement (AM)



250,300,350,400 AM
Motor DEUTZ D303-2 / D302-2

HT.A0AM.350 D 02

**Instalación
circuito
hidráulico**
*Hydraulic
circuit
installation*

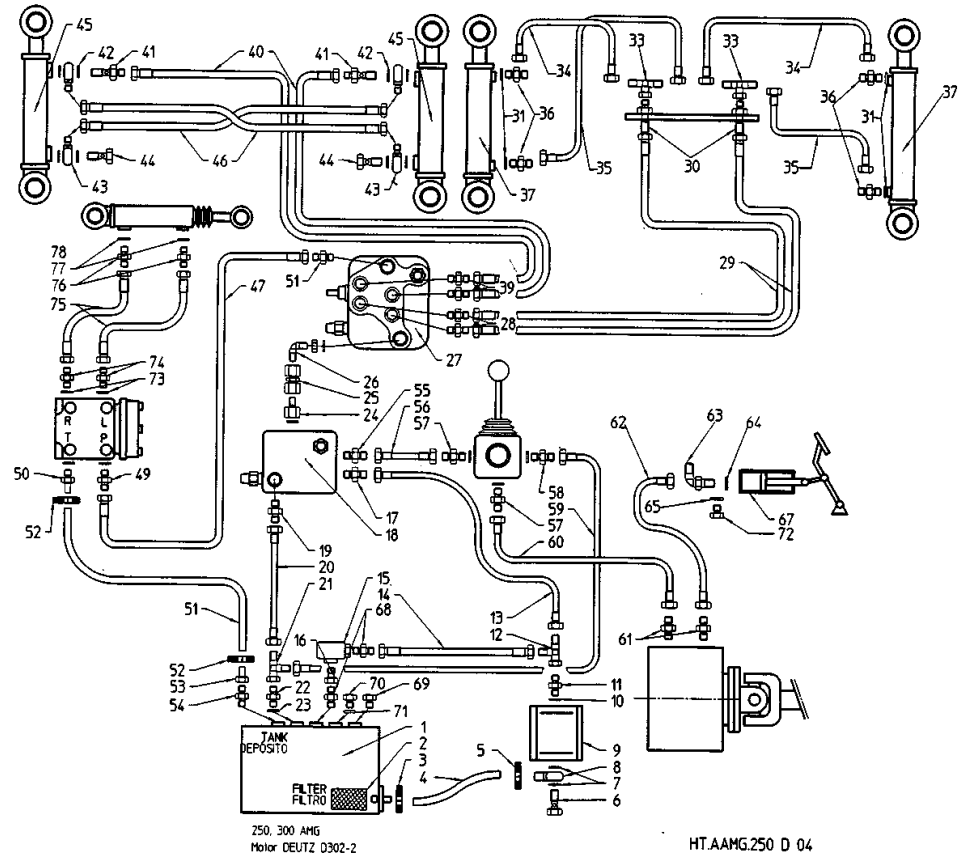
Accionamiento (AM)
Actionnement (AM)

Fig. N° Fig. N°	Referencia Part N°	Cantidad Quantity	Fig. N° Fig. N°	Referencia Part N°	Cantidad Quantity
1	60.01430.03	1	48	45.01454.00	1
2	08.00360.01	1	49	60.13206.00	1
3	912.20032.00	1	50	43.11476.00	1
4	16.01372.00	1	51	60.13460.00	1
5	08.00316.00	1	52	52.01441.00	2
6	45.01371.00	1	53	60.13200.00	1
7	15.01203.03	2	54	43.50755.27	1
8	45.01371.00	1	55	55.00757.20	1
9	15.01203.03	1	56	106.12000.20	1
10	08.00317.00	1	57	55.00758.00	1
11	08.00313.00	1	58	55.00770.20	1
12	60.13140.00	1	59	15.07780.00	1
13	54.01819.00	1	60	45.10803.00	1
14	43.70202.00	1	61	60.50016.00	1
15	47.01469.00	1	62	43.13444.00	1
16	60.13016.00	1	63	08.00313.00	2
17	43.01425.00	1	64	08.00316.00	2
18	60.13024.00	1	65	08.00313.00	2
19	42.70209.00	1	66	10.11428.00	2
20	60.13275.00	1	67	19.00720.00	2
21	60.13006.00	1	68	28.00341.00	2
22	45.01454.00	1	69	60.05000.00	1
23	-----	1	70	54.01813.00	1
24	45.01472.00	1			
25	60.13305.00	2			
26	43.01453.00	1			
27	09.00330.00	1			
28	08.00319.00	2			
29	60.13535.00	2			
30	08.00317.00	2			
31	15.01223.00	2			
32	08.00315.00	2			
33	10.00698.00	2			
34	45.01453.00	2			
35	08.00500.11	2			
36	08.00313.00	1			
37	60.13550.00	1			
38	43.01425.00	1			
39	08.00301.01	1			
40	60.10030.00	1			
41	912.20032.00	2			
42	47.01428.00	1			
43	52.01442.00	1			
44	60.13501.00	1			
45	60.13870.00	1			
46	43.11476.00	1			
47	43.10755.02	1			



**Instalación
circuito
hidráulico**
*Hydraulic
circuit
installation*

Accionamiento (250-300 AMG)
Actionnement (250-300 AMG)



**Instalación
circuito
hidráulico**

*Hydraulic
circuit
installation*

Accionamiento (250-300 AMG)
Actionnement (250-300 AMG)

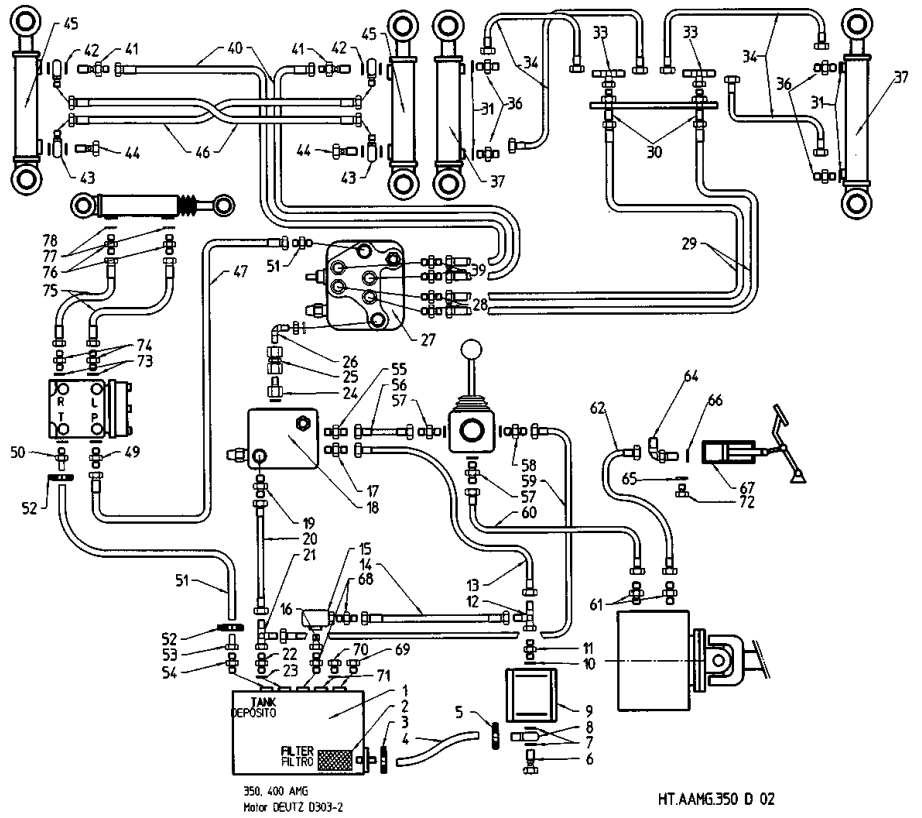
Accionamiento 250; 300 AMG (HT.AAMG.250 D 04)

1	60.01430.03	40	60.13710.00
2	08.00360.01	41	28.00342.00
3	912.20032.00	42	28.00341.00
4	60.11448.00	43	28.00339.00
5	08.00360.01	44	28.00340.00
6	16.01372.00	45	55.00200.03
7	08.00316.00	46	42.00506.00
8	45.01371.00	47	08.00313.00
9	15.01203.03	48	60.13550.00
10	08.00317.00	49	43.01425.00
11	08.00313.00	50	08.00301.01
12	60.13140.00	51	54.01813.00
13	54.01819.00	52	912.20032.00
14	43.70202.00	53	47.01428.00
15	47.01469.00	54	52.01442.00
16	60.13016.00	55	60.13501.00
17	43.01425.00	56	60.13870.00
18	60.13024.00	57	43.11476.00
19	42.70207.00	58	45.01454.00
20	60.13275.00	59	60.13206.00
21	60.13006.00	60	60.13460.00
22	45.01454.00	61	52.01441.00
23	---	62	60.13200.02
24	45.01472.00	63	43.50704.00
25	60.13305.00	64	106.10000.20
26	43.01453.00	65	28.00343.00
27	08.00330.02	66	---
28	08.00319.00	67	60.00747.00
29	60.13500.00	68	08.00313.00
30	08.10502.00#	69	45.10803.00
31	08.00317.00#	70	60.50016.00
32	---	71	43.13444.00
33	08.10503.00#	72	80.01090.00
34	01.01454.00#	73	08.00316.00
35	60.10000.00#	74	08.00313.00
36	08.00319.00#	75	10.11428.00
37	59.00500.01	76	19.00720.00
38	---	77	28.00341.00
39	16.00720.01	78	60.05000.00



**Instalación
circuito
hidráulico**
*Hydraulic
circuit
installation*

Accionamiento (350-400 AMG)
Actionnement (350-400 AMG)



**Instalación
circuito
hidráulico**

*Hydraulic
circuit
installation*

Accionamiento (350-400 AMG)
Actionnement (350-400 AMG)

Accionamiento 350; 400 AMG (HT.AAMG.350 D 02)

1	60.01430.03	40	60.13710.00
2	08.00360.01	41	28.00342.00
3	912.20032.00	42	28.00341.00
4	60.11448.00	43	28.00339.00
5	08.00360.01	44	28.00340.00
6	16.01372.00	45	55.00200.03
7	08.00316.00	46	42.00506.00
8	45.01371.00	47	08.00313.00
9	15.01203.03	48	60.13550.00
10	08.00317.00	49	43.01425.00
11	08.00313.00	50	08.00301.01
12	60.13140.00	51	54.01813.00
13	54.01819.00	52	912.20032.00
14	43.70202.00	53	47.01428.00
15	47.01469.00	54	52.01442.00
16	60.13016.00	55	60.13501.00
17	43.01425.00	56	60.13870.00
18	60.13024.00	57	43.11476.00
19	42.70207.00	58	45.01454.00
20	60.13275.00	59	60.13206.00
21	60.13006.00	60	60.13460.00
22	45.01454.00	61	52.01441.00
23	---	62	60.13200.02
24	45.01472.00	63	---
25	60.13305.00	64	43.50704.00
26	43.01453.00	65	28.00343.00
27	08.00330.02	66	106.10000.20
28	08.00319.00	67	60.00747.00
29	60.13500.00	68	08.00313.00
30	08.10502.00#	69	45.10803.00
31	08.00317.00#	70	60.50016.00
32	---	71	43.13444.00
33	08.10503.00#	72	80.01090.00
34	01.01454.00#	73	08.00316.00
35	---	74	08.00313.00
36	08.00319.00	75	10.11428.00
37	55.01220.02	76	19.00720.00
38	---	77	28.00341.00
39	16.00720.01	78	60.05000.00

Modificado

HL.AAMG.350 D 02.doc

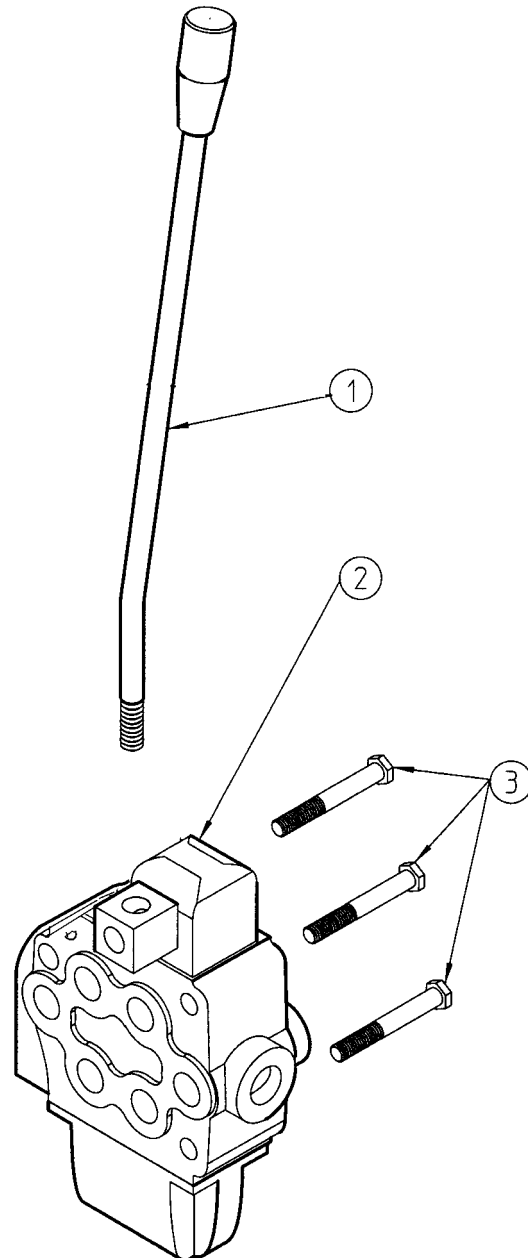


**Instalación
circuito
hidráulico**

*Hydraulic
circuit
installation*

Distribuidor
Distributor

Fig. N° Fig. N°	Referencia Part N°	Cantidad Quantity
1	09.01451.00	1 AM
1	60.01451.02	1 AMG
2	08.00330.02	1 AMG
2	09.00330.00	1 AM
3	604.08070.86	3

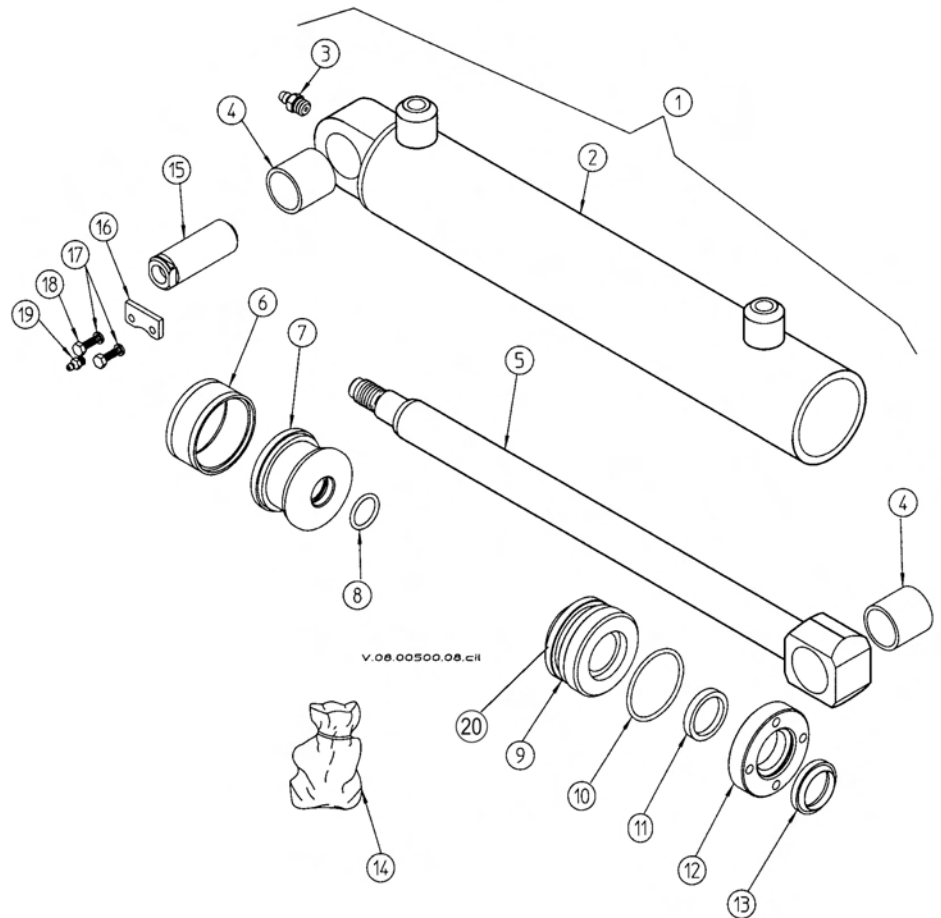


Instalación circuito hidráulico

Hydraulic circuit installation

Cilindro basculante (AM)
Dumping cylinder (AM)

Fig. N° Fig. N°	Referencia Part N°	Cantidad Quantity
1	08.00500.11	2
2	08.00520.08	2
3	901.08000.33	4
4	08.00527.00	4
5	08.00525.01	2
6	207.63028.50	2
7	208.00521.04	2
8	201.22003.50	2
9	08.00528.02	2
10	201.05153.50	2
11	217.30006.50	2
12	08.00530.01	2
13	203.3008.50	2
14	08.99500.05	2
15	15.01216.00	2
16	15.00832.00	2
17	105.06000.66	4
18	603.06015.86	4
19	903.08000.33	2
20	101.30000.66	4



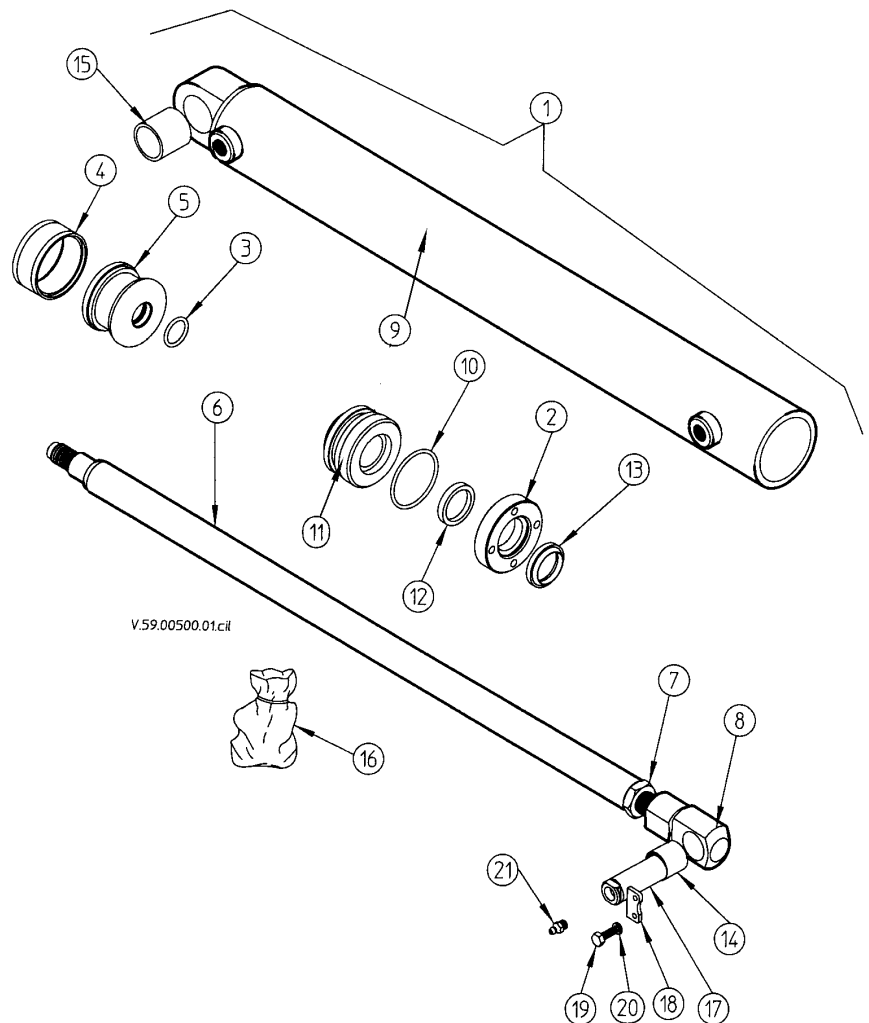


Instalación circuito hidráulico *Hydraulic circuit installation*

Cilindro basculante
Dumping cylinder

(250/300 AMG)

Fig. N° Fig. N°	Referencia Part N°	Cantidad Quantity
1	59.00500.01	(2)
2	08.00530.01	1
3	201.22003.50	2
4	207.63028.50	1
5	08.00521.04	1
6	59.00525.04	1
7	10.01117.00	1
8	59.01116.00	1
9	59.00520.01	1
10	201.05153.50	1
11	08.00528.02	1
12	217.30006.50	1
13	203.30008.50	1
14	08.00527.00	1
15	14.01116.00	1
16	09.99500.06	(1)
17	15.01216.00	2
18	15.00832.00	2
19	603.06015.86	4
20	105.06000.66	4
21	901.08000.33	2



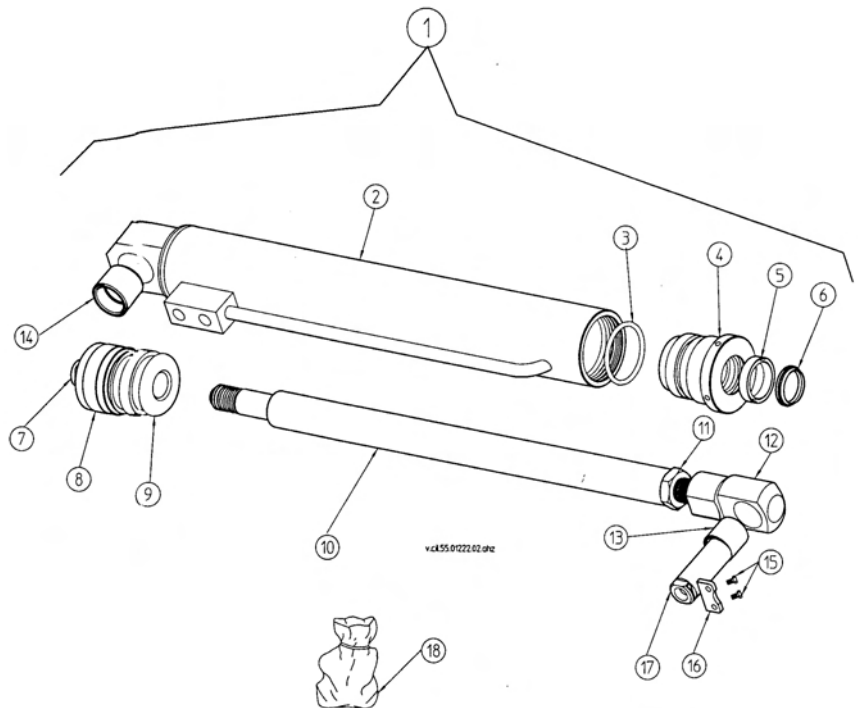
Instalación circuito hidráulico

Hydraulic circuit installation

Cilindro basculante
Dumping cylinder

(350/400 AMG)

Fig. N° Fig. N°	Referencia Part N°	Cantidad Quantity
1	55.01220.02	3
2	55.01101.01	3
3	201.05905.50	3
4	44.01210.00	3
5	229.04010.50	3
6	228.04008.50	3
7	720.27000.66	3
8	207.07058.50	3
9	44.01211.00	3
10	44.01102.01	3
11	10.01117.00	3
12	10.01115.00	3
13	08.00527.00	3
14	14.01116.00	3
15	603.06015.86	6
16	15.00832.00	3
17	08.00135.00	3
18	55.99100.02	3



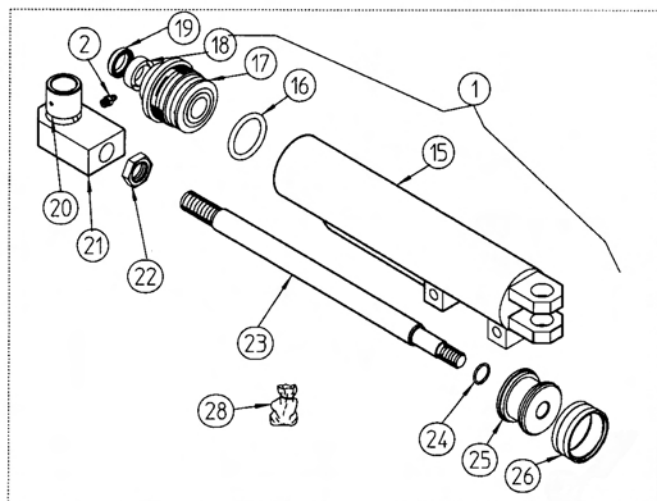
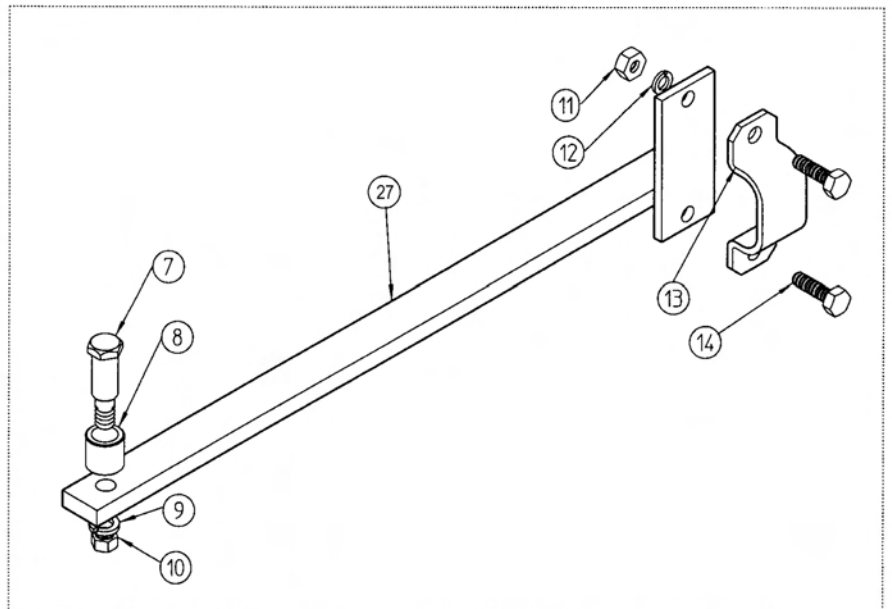
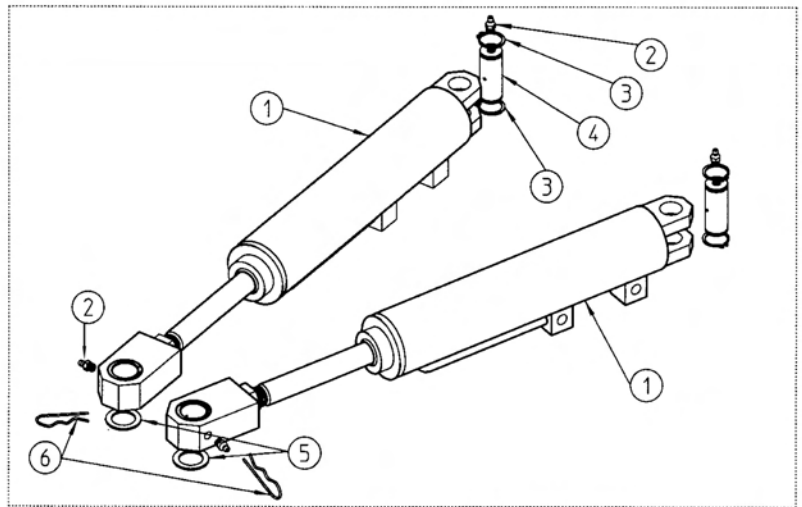


Instalación circuito hidráulico

Hydraulic circuit installation

Cilindro corona
Crown cylinder

(AMG)



**Instalación
circuito
hidráulico**
*Hydraulic
circuit
installation*

Cilindro corona
Crown cylinder

(AMG)

Fig. N° Fig. N°	Referencia Part N°	Cantidad Quantity
1	55.00200.04	2
2	901.08000.33	4
3	904.22000.00	4
4	09.10301.00	2
5	101.30000.66	2
6	15.00836.00	2
7	01.00309.00	2
8	01.00308.00	1
9	105.08000.66	1
10	701.08000.66	1
11	701.06000.66	2
12	105.06000.66	2
13	09.00335.00	1
14	603.06020.86	2
15	45.01510.02	2
16	201.04705.50	2
17	19.00220.03	2
18	229.02838.50	2
19	228.02836.50	2
20	55.00527.00	4
21	60.01115.02	2
22	54.01117.00	2
23	19.00215.05	2
24	201.28003.50	2
25	08.00521.05	2
26	207.05543.50	2
27	55.01160.00	1
28	55.99200.02	2

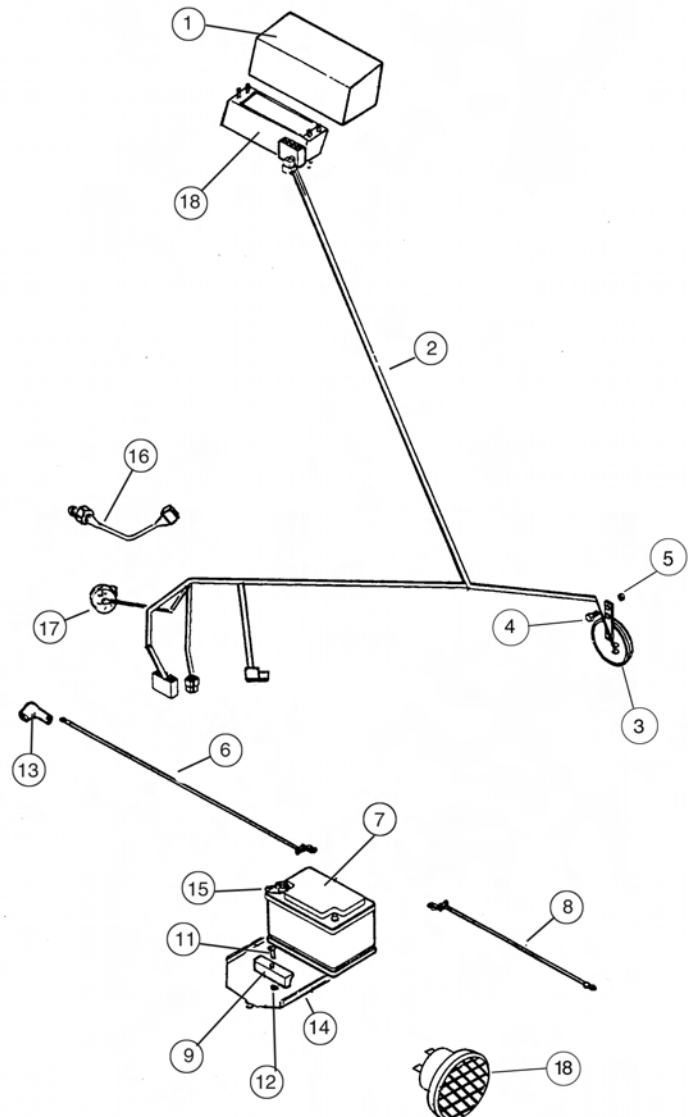


Instalación eléctrica

Electric installation

Arranque
Starting

Fig. N° Fig. N°	Referencia Part N°	Cantidad Quantity
1	60.45070.01	(1)
2	60.70237.01	(1)
3	00.09034.00	1
4	603.08015.86	1
5	701.08000.66	1
6	01.00841.02	1
7	15.01411.00	1
8	15.01444.00	1
9	43.10827.01	1
10	60.00933.00	1
11	603.06030.86	1
12	701.06000.66	1
13	01.00855.00	1
13	58.10825.00	1
14	58.10825.00	1
15	46.10002.00	1
16	43.06261.00	1
17	00.09034.00	1
18	46.01532.00	2

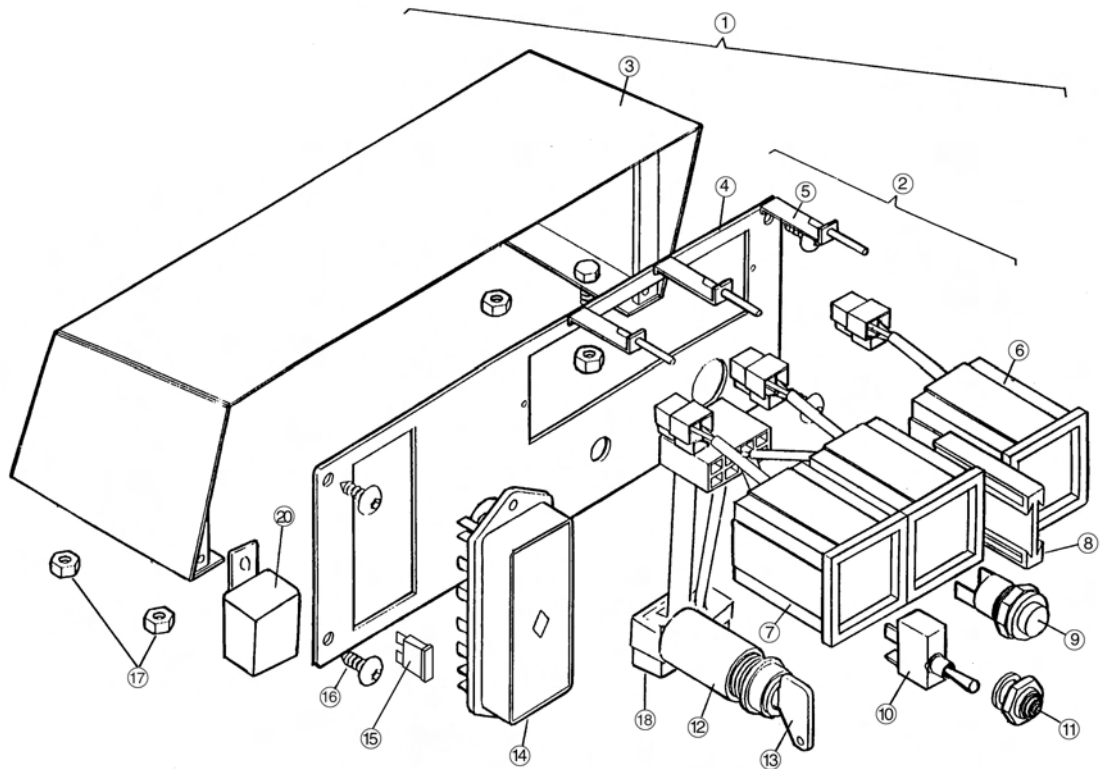


Instalación eléctrica

Electric installation

Tablier arranque
Starting board

Fig. N° Fig. N°	Referencia Part N°	Cantidad Quantity
1	60.45070.01	(1)
2	60.04507.10	(1)
3	09.00922.04	1
4	60.00923.01	1
5	46.50029.00	3
6	46.50024.00	1
7	46.50027.00	1
8	46.50028.00	1
9	01.00796.00	1
10	43.50024.01	1
11	43.50025.00	1
12	01.00823.03	1
13	43.50022.01	1
13	43.50022.02	1
14	01.00877.00	1
15	43.50032.00	4
16	630.06015.96	4
17	701.06000.66	4
18	55.04507.00	1



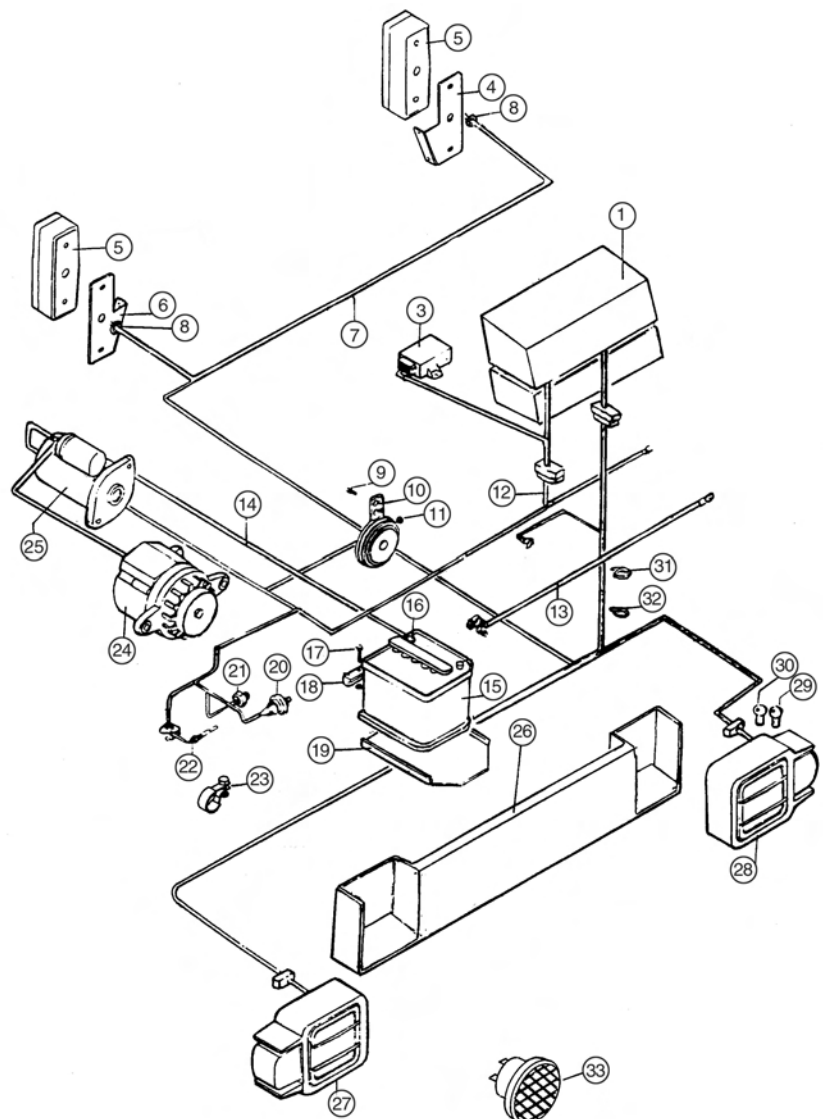


Instalación eléctrica

Electric installation

Alumbrado
Lighting

Fig. N° Fig. N°	Referencia Part N°	Cantidad Quantity	Fig. N° Fig. N°	Referencia Part N°	Cantidad Quantity
1	60.45070.02	(1)	18	43.10827.00	1
2	60.00933.00	1	19	58.10825.00	1
3	43.01530.01	2	20	60.00189.00	1
4	60.01114.00	1	21	60.00188.00	1
5	54.01327.00	2	22	60.00190.00	1
6	60.01113.00	1	23	830.01806.00	8
7	58.01521.00	1	24	83.89058.01	1
8	16.01155.00	2	25	16.01415.00	1
9	603.06015.86	2	26	60.99225.00	1
10	00.08034.00	1	27	00.09032.10	1
11	701.06000.66	2	28	00.09032.11	1
12	60.70237.02	1	29	31.01331.00	2
13	15.01444.00	1	30	31.01329.00	2
14	16.01442.00	1	31	946.01400.00	6
15	15.01411.00	1	32	946.01200.00	2
16	46.10002.00	1	33	46.01532.00	2
17	603.06030.86	1			

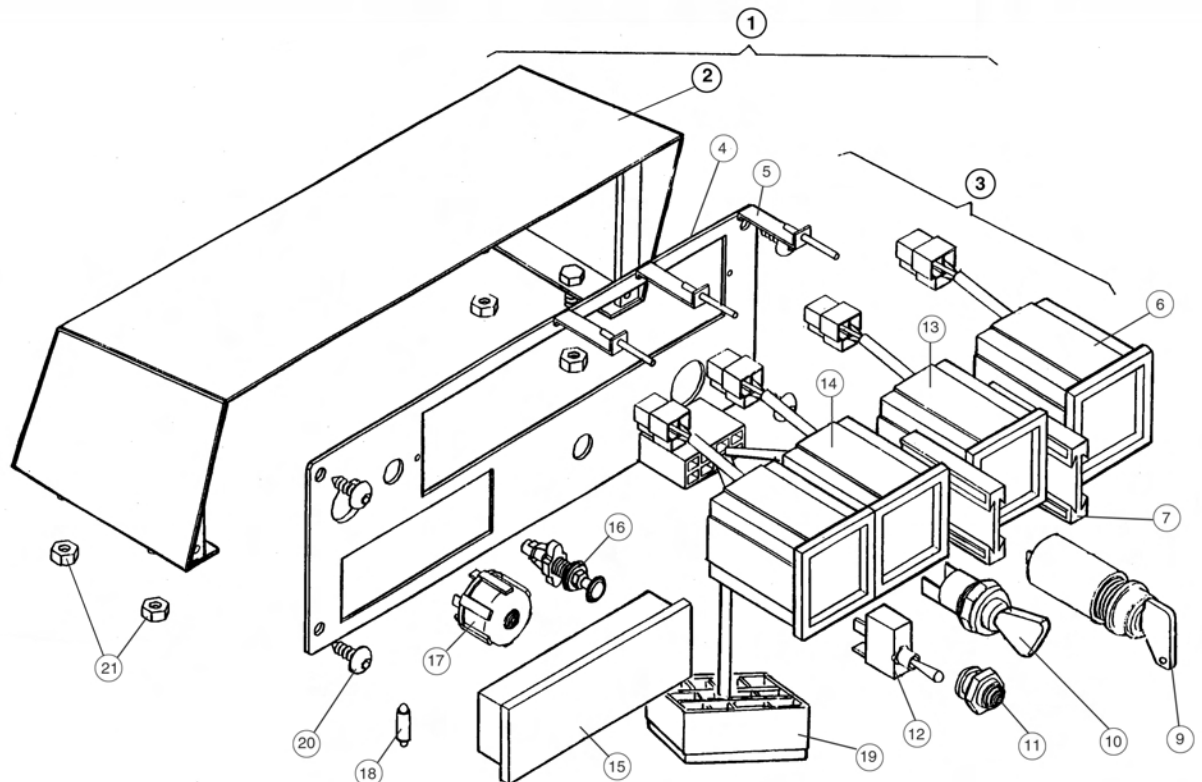


Instalación eléctrica

Electric installation

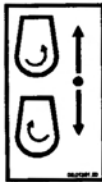
Tablier alumbrado
Lighting board

Fig. N° Fig. N°	Referencia Part N°	Cantidad Quantity
1	60.45070.02	(1)
2	09.00922.04	1
3	60.04507.13	(1)
4	60.00923.00	1
5	46.50029.00	4
6	46.50024.00	1
7	46.50028.00	2
8	01.00823.03	1
9	43.50022.01	1
9	43.50022.02	1
10	43.50026.00	1
11	43.50025.00	1
12	43.50024.01	1
13	46.50026.00	1
14	46.50027.00	1
15	43.50011.00	1
16	09.70034.00	1
17	43.50023.00	1
18	43.50032.00	10
19	60.04507.02	(1)
20	615.06012.66	4
21	701.06000.66	4





1



2



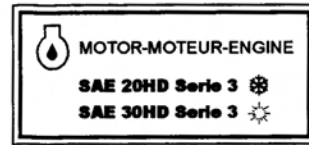
3

TPO-TYPE-TYP	
AUSA	SINTEOR-CHARGE-PLANE
	MOTOR-MOTEUR-ENGINE
	NO-ANNEE-YEAR-JAHR
PESO - POIDS	VICIO - AVIDE - UNLOADED - LEER
WEIGHT - GEWICHT	CARGADO - CHARGE - LOADED - BELASTET
EJE DELANTERO	CARGA NOMINAL - CHARGE NOMINAL
ESSELU AVANT	NOMINAL LOAD - ZÜLASSELAST
FRONT AXLE	
VORNACHSE	
EJE POSTERIOR	CARGA NOMINAL - CHARGE NOMINAL
ESSELU ARRIERE	NOMINAL LOAD - ZÜLASSELAST
REAR AXLE	
INTERNACHSE	
CARGA HORIZONTAL EN HORIZONTAL - CHARGE HORIZONTAL EN	
PLUMB - LOAD OR HISSD ON THE LEVEL - ZULÄSSEARBEITLAST	
CONTRASEÑA DE HOMOLOGACIÓN	
AUTOMOVILES UTILITARIOS, S.A. TEL. 91-871711 - FAX 91-871100 - AVDA. P.O. 10	
28940 MADRID (SPAIN) PL. 10/11/82	

4



5



6



7



8



9



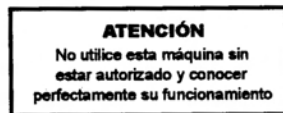
10



11



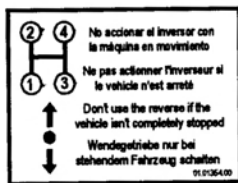
12



13



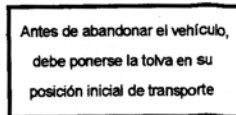
14



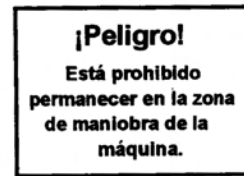
15



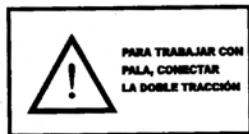
16



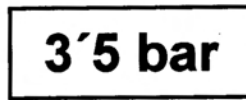
17



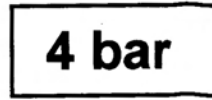
18



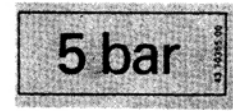
19



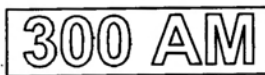
20



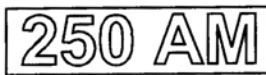
21



22



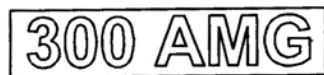
23



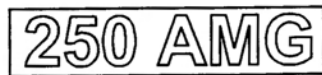
24



25



26



27



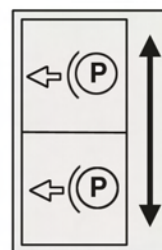
28



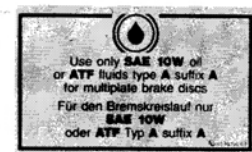
29



29A



30



31

Acabados *Finishing*

Placas
Plates

Fig. N° Fig. N°	Referencia Part N°	Cantidad Quantity
1	43.01904.10	1
1	09.09902.00	1
1	43.51906.00	1
2	08.01351.00	1
3	09.01351.00	1
4	01.00779.20	1
5	502.03000.60	4
6	43.01170.00	1
7	01.00778.03	2
8	09.00769.00	1
9	46.00825.00	1
10	46.19101.00	2
11	43.70780.00	1
12	43.01352.10	1
12	60.01352.00	1
13	02.00774.00	1
14	43.01356.00	1
15	01.01354.00	1
16	60.22350.00	2
17	02.00773.01	1
18	14.00775.01	2
19	15.30250.00	1
19	15.30250.01	1
19	15.30250.02	1
19	15.30250.03	1
20	01.01355.08	2
21	01.01355.05	2
22	43.70355.00	2
23	60.20015.00	2
24	60.20011.00	2
25	60.20002.00	2
26	60.20017.00	2
27	60.20013.00	2
28	60.20003.00	2
29	60.20008.00	2
29A	60.20009.00	1
30	60.15804.00	1
31	43.70780.01	1

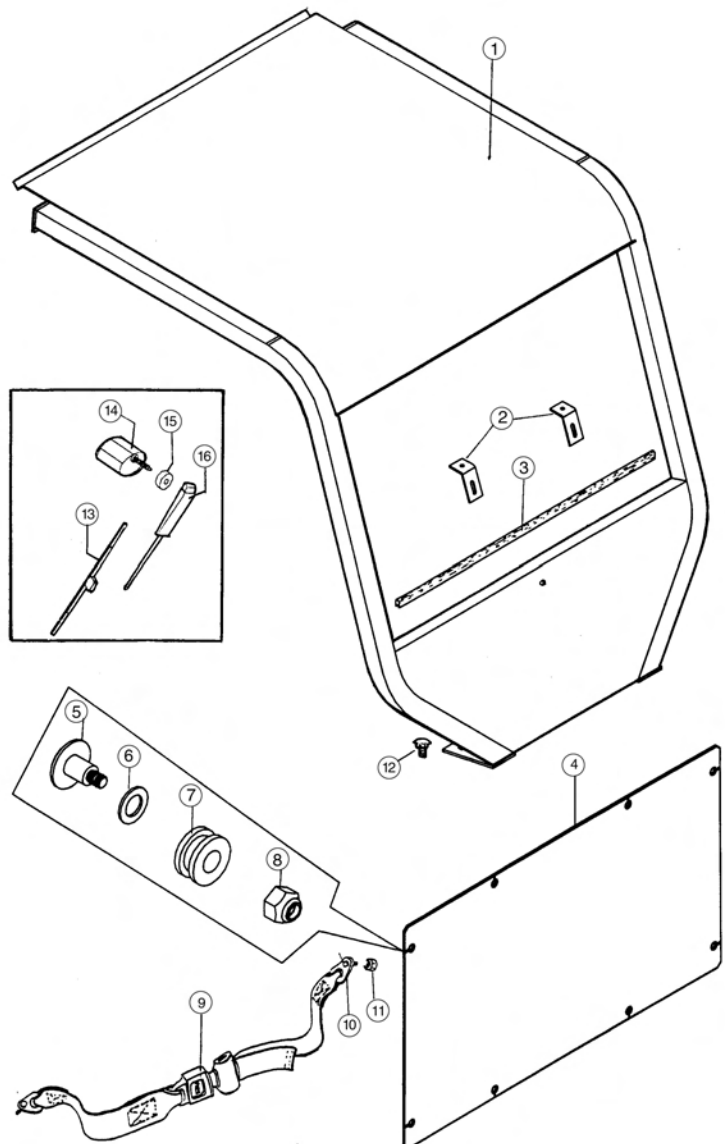


Acabados

Finishing

Protector conductor (opcional)
Driver protector (optional)

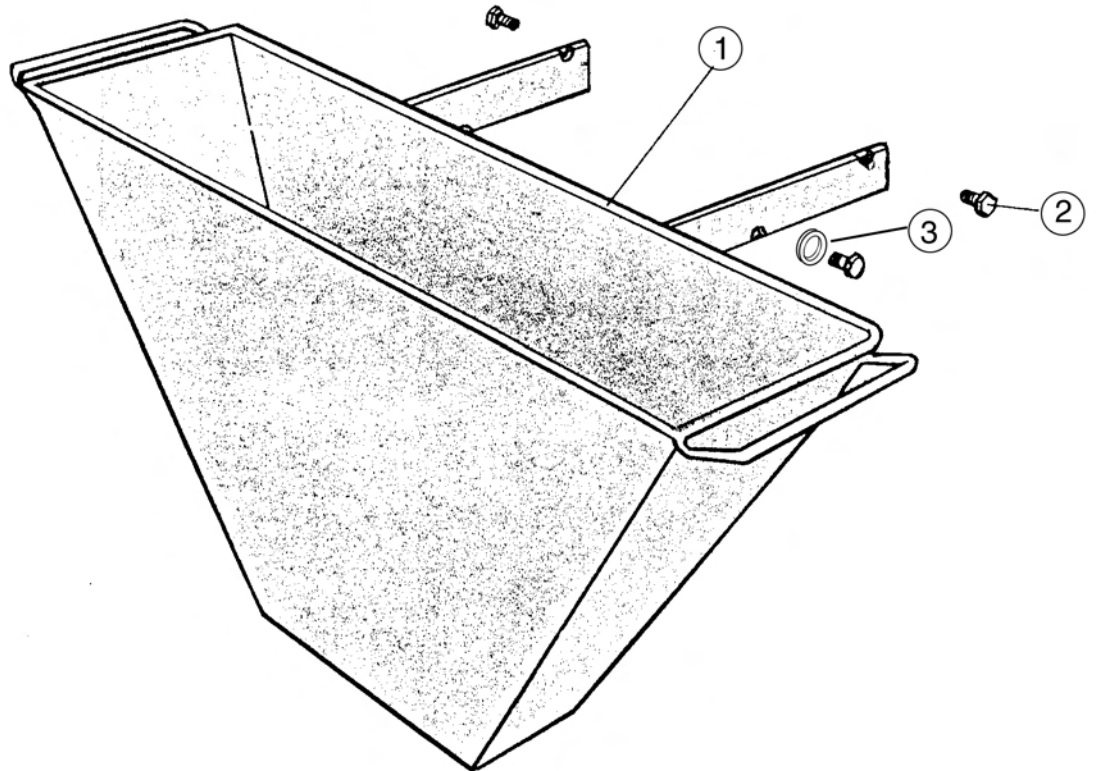
Fig. N° Fig. N°	Referencia Part N°	Cantidad Quantity
1	60.08240.00	1
2	01.08251.00	2
3	54.01121.00	1
4	60.08237.01	1
5	43.50941.00	8
6	101.06000.66	8
7	16.00760.00	8
8	711.06000.66	8
9	45.60002.01	1
10	618.12025.86	2
11	711.12000.66	2
12	605.10030.66	4
13	46.00842.00	1
14	46.00843.00	1
15	01.00804.01	1
16	46.00841.00	1



Acabados *Finishing*

Embudo descarga baja
Low unload funnel

Fig. N° Fig. N°	Referencia Part N°	Cantidad Quantity
1	60.12101.00	1
2	09.12312.00	4
3	105.14000.66	4

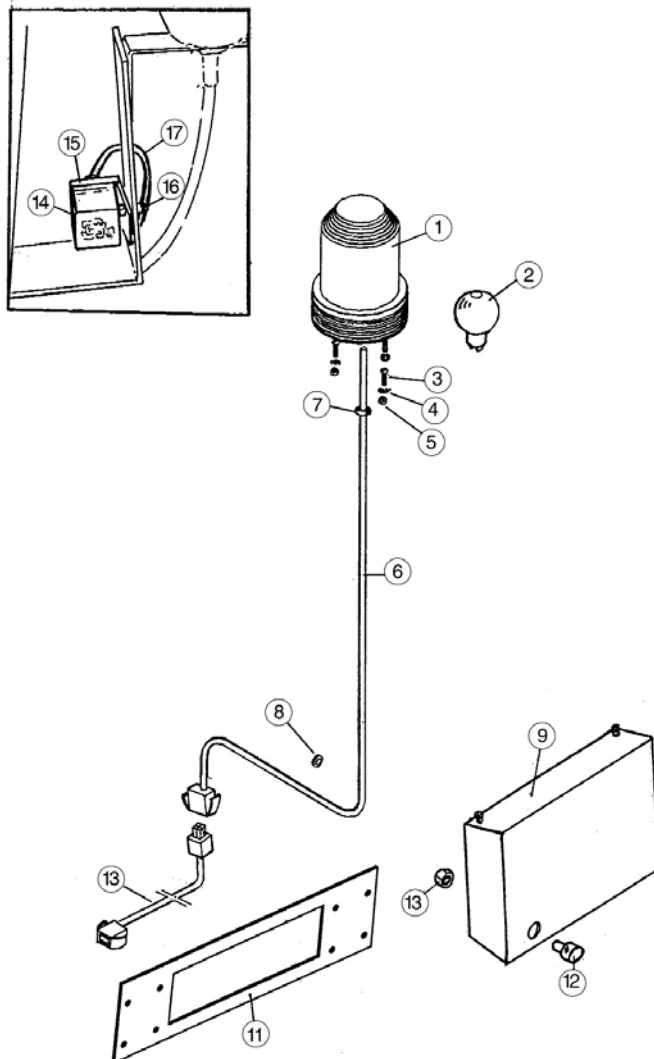




Acabados Finishing

Faro rotativo
Rotating beacon

Fig. N° Fig. N°	Referencia Part N°	Cantidad Quantity
1	01.00922.00	1
2	01.00923.00	1
3	601.06025.00	3
4	101.06000.66	3
5	711.06000.66	3
6	01.00927.01	1
7	43.07777.00	2
8	16.01155.00	1
9	60.01454.00	1
10	01.00735.00	1
11	711.06000.66	1
12	60.14455.00	1
13	60.13315.00	1
14	02.14110.00	1
15	15.14510.00	1
16	603.08025.86	1
17	15.14411.00	1



**ÍNDICE
DE
REFERENCIAS**

*REFERENCES
INDEX*



Referencia Reference	Tabla Board	Fig. N° Fig. Nr	Denominación Denomination	
00.00626.03	620-013-00	4	EMBELLECEDOR	TRIM
00.02803.00	620-020-00	1	TORNILLO DIN910*	SCREW DIN910*
00.08034.00	620-023-00	14		
00.09032.10	620-043-00	10	FARO	BEACON
00.09032.11	620-043-00	27	FARO	BEACON
00.09034.00	620-043-00	28	CLAXON	HORN
	620-041-00	3	CLAXON	HORN
01.00036.02	620-041-00	17	BOLSA HERRAMEN.	TOOLS-BAG
01.00133.00	620-029-00	26	TENSOR.	TENSIONER
01.00138.00	620-017-00	11	TUERCA DIN934*	NUT DIN934*
01.00220.01	620-017-00	12	RESORTE TORS.	SPRING TORSION
01.00222.02	620-004-00	11		
01.00235.00	620-004-00	8	SOP. ROD.	BEARING SUPPORT
01.00308.00	620-004-00	6	COJINETE NYLON	NYLON BEARING
	620-016-00	4	COJINETE NYLON	NYLON BEARING
01.00309.00	620-040-00	8	TORNILLO DIN933*	SCREW DIN933*
	620-016-00	3	TORNILLO DIN933*	SCREW DIN933*
	620-040-00	7	TORNILLO DIN480*	SCREW DIN480
01.00319.00	620-015-00	18	EMPUADURA	KNOB
01.00325.02	620-016-00	1	EMPUADURA	KNOB
01.00335.00	620-015-00	37	IMAN	MAGNET
	620-023-00	12	IMAN	MAGNET
01.00514.01	620-024-00	16	EJE CIL/CPA	AXLE 'CIL/CPA'
	620-018-00	4	EJE CIL/CPA	AXLE 'CIL/CPA'
01.00541.00	620-019-00	25	ARANDELA DIN433*	WASHER DIN443*
01.00564.01	620-015-00	15	HORQUILLA ART.	ART. FORK
01.00735.00	620-019-00	24	TORNILLO DIN933*	SCREW DIN933*
01.00778.03	620-048-00	10		
01.00779.20	620-045-00	7		
01.00796.00	620-045-00	4	PULSADOR	PUSCH BUTTOM
01.00804.01	620-042-00	9	CASQUILLO.	BUSH
01.00823.03	620-046-00	15	CONMUTADOR	CONMUTATOR
	620-042-00	12	CONMUTADOR	CONMUTATOR
01.00841.02	620-044-00	8	CABLE ELEC.	ELECTRICAL CABLE
01.00855.00	620-041-00	6	CASQUILLO	ACC. FORK
01.00877.00	620-041-00	13	CAJA.	BOX.
01.00922.00	620-042-00	14	FARO	BEACON
01.00923.00	620-048-00	1	LAMPARA	BULB
01.00926.01	620-048-00	2	SOP. ANG.	BRACKET ANG.
01.00927.01	620-028-00	8	TRAMO I/E	LENGTH ELEC. INSTAL.
01.01205.00	620-048-00	6	TORNILLO DIN931*	SCREW DIN931*
01.01304.00	620-005-00	3	TUERCA DIN934*	NUT DIN934*
01.01354.00	620-019-00	23	PLACA AD. INDI.	PLATE AD. INDI
01.01355.05	620-045-00	15	PLACA AD. INDI.	PLATE AD. INDI
01.01355.08	620-045-00	21	PLACA AD. INDI.	PLATE AD. INDI
01.01396.01	620-045-00	20		
01.01454.00	620-014-00	7	TUBO R1T3/8'	HOSE R1T3/8'
	620-034-00	34	TUBO R1T3/8'	HOSE R1T3/8'
01.03923.00	620-035-00	34	ARANDELA REG.	WASHER ADJUST.
01.08251.00	620-006-00	12	SOP. ANG.	BRACKET ANG.
02.00773.01	620-046-00	2	PLACA AD. INDI.	PLATE AD. INDI
02.00774.00	620-045-00	17	PLACA AD. INDI.	PLATE AD. INDI
02.14110.00	620-045-00	13		
02.32016.00	620-048-00	14	TAPON.	CAP
08.00107.00	620-029-00	35	TOPE.	BUTT
08.00135.00	620-031-00	16	EJE CIL/COA	SHAFT 'CIL/COA'
08.00301.01	620-039-00	17	RACOR M/TB	NIPPLE M/TB
	620-033-00	39		
	620-034-00	50		
08.00313.00	620-035-00	50	RACOR M/M	NIPPLE M/M
	620-005-00	20	RACOR M/M	NIPPLE M/M
	620-033-00	11	RACOR M/M	NIPPLE M/M
	620-033-00	36	RACOR M/M	NIPPLE M/M
	620-033-00	63	RACOR M/M	NIPPLE M/M
	620-033-00	65	RACOR M/M	NIPPLE M/M
	620-034-00	11	RACOR M/M	NIPPLE M/M
	620-034-00	47	RACOR M/M	NIPPLE M/M
	620-034-00	68	RACOR M/M	NIPPLE M/M
	620-034-00	74	RACOR M/M	NIPPLE M/M
	620-035-00	11	RACOR M/M	NIPPLE M/M
	620-035-00	47	RACOR M/M	NIPPLE M/M
	620-035-00	68	RACOR M/M	NIPPLE M/M

Referencia Reference	Tabla Board	Fig. N° Fig. Nr	Denominación Denomination	
08.00315.00	620-035-00	74	RACOR TOR. SIMPLE	NIPPLE SCREW SIM.
08.00316.00	620-033-00	32	JUNTA MET. BUNA	GASKET MET. BUNA
	620-023-00	5	JUNTA MET. BUNA	GASKET MET. BUNA
	620-033-00	5	JUNTA MET. BUNA	GASKET MET. BUNA
	620-033-00	64	JUNTA MET. BUNA	GASKET MET. BUNA
	620-034-00	7	JUNTA MET. BUNA	GASKET MET. BUNA
	620-034-00	73	JUNTA MET. BUNA	GASKET MET. BUNA
	620-035-00	7	JUNTA MET. BUNA	GASKET MET. BUNA
08.00317.00	620-035-00	73	JUNTA MET. BUNA	GASKET MET. BUNA
	620-033-00	10	JUNTA MET. BUNA	GASKET MET. BUNA
	620-033-00	30	JUNTA MET. BUNA	GASKET MET. BUNA
	620-034-00	10	JUNTA MET. BUNA	GASKET MET. BUNA
	620-034-00	31	JUNTA MET. BUNA	GASKET MET. BUNA
	620-035-00	10	JUNTA MET. BUNA	GASKET MET. BUNA
08.00319.00	620-035-00	31	RACOR M/M	NIPPLE M/M
	620-033-00	28	RACOR M/M	NIPPLE M/M
	620-034-00	28	RACOR M/M	NIPPLE M/M
	620-034-00	36	RACOR M/M	NIPPLE M/M
	620-035-00	28	RACOR M/M	NIPPLE M/M
08.00330.02	620-035-00	36	DISTRIBUIDOR 2E	CONTROL VALVE 2E
	620-034-00	27	DISTRIBUIDOR 2E	CONTROL VALVE 2E
	620-035-00	27	DISTRIBUIDOR 2E	CONTROL VALVE 2E
08.00360.01	620-037-00	2	FILTRO ACEITE	OIL FILTER
	620-023-00	11	FILTRO ACEITE	OIL FILTER
	620-033-00	2	FILTRO ACEITE	OIL FILTER
	620-034-00	2	FILTRO ACEITE	OIL FILTER
	620-035-00	2	FILTRO ACEITE	OIL FILTER
08.00500.11	620-035-00	5	CILINDRO D/E	CYLINDER D/E
	620-033-00	35	CILINDRO D/E	CYLINDER D/E
08.00520.08	620-036-00	1		
08.00521.04	620-036-00	2	EMBOLO	PISTON
08.00521.05	620-038-00	5		
08.00525.01	620-040-00	25	VASTAGO	SPINDLE
08.00527.00	620-036-00	5	COJINETE CIL.	BEARING CYL.
	620-036-00	4	COJINETE CIL.	BEARING CYL.
	620-038-00	14	COJINETE CIL.	BEARING CYL.
08.00528.02	620-039-00	13	GUIA	GUIDE
	620-036-00	9	GUIA	GUIDE
08.00530.01	620-038-00	11	TUERCA DIN547*	NUT DIN547*
	620-036-00	12	TUERCA DIN547*	NUT DIN547*
08.01351.00	620-038-00	2	PLACA AD. INDI.	PLATE AD. INDI
08.10502.00	620-045-00	2	RACOR PAS. M/M	NIPPLE M/M
	620-034-00	30	RACOR PAS. M/M	NIPPLE M/M
08.10503.00	620-035-00	30	RACOR FORT M/TL/M	THREE-WAY UNION M/TL/M
	620-034-00	33	RACOR FORT M/TL/M	THREE-WAY UNION M/TL/M
08.99500.05	620-035-00	33		
09.00330.00	620-036-00	14		
	620-033-00	27		
09.00335.00	620-037-00	2	BRIDA DIN72573	CLAMP DIN72573
09.00631.00	620-040-00	13	VARILLA NIVEL	ROD OIL LEVEL
09.00769.00	620-023-00	1	PLACA AD. INDI.	PLATE AD. INDI
09.00922.04	620-045-00	8	SOP. PLACA	SUPPORT PLATE
	620-042-00	3	SOP. PLACA	SUPPORT PLATE
09.01351.00	620-044-00	2	PLACA AD. INDI.	PLATE AD. INDI
09.01451.00	620-045-00	3	PALANCA MANDO	CONTROL LEVER
09.09902.00	620-037-00	1	PLACA AD. INDI.	PLATE AD. INDI
09.10301.00	620-045-00	1	EJE CAS/CAS	SHAFT 'CAS/CAS'
09.11009.00	620-040-00	4	ESPEJO RETROVISOR	DRIVING MIRROR
09.11010.00	620-026-00	1		
09.11011.00	620-026-00	3		
09.11012.00	620-026-00	4		
09.11013.00	620-026-00	5	ESPEJO RETROVISOR	DRIVING MIRROR
09.11075.00	620-026-00	2	SOP. EJE	AXLE SUPPORT
09.12312.00	620-031-00	23	EJE CIL/ROS	AXLE 'CIL/ROS'
09.70034.00	620-047-00	2	INTERRUPTOR	SWITCH
09.99500.06	620-044-00	16		
10.00698.00	620-038-00	16	TUBO R1T3/8'	HOSE R1T3/8'
10.00921.00	620-033-00	33	TAPON.	CAP
	620-005-00	22	TAPON.	CAP
10.01115.00	620-007-00	9	CABEZA VASTAGO	CYLINDER ROD HEAD
10.01117.00	620-039-00	12	TUERCA DIN439*	NUT DIN439*
	620-038-00	7	TUERCA DIN439*	NUT DIN439*

Referencia Reference	Tabla Board	Fig. N° Fig. Nr	Denominación Denomination
10.11428.00	620-039-00	11	TUBO R1T3/8'
	620-033-00	66	TUBO R1T3/8'
10.13241.00	620-034-00	75	ARANDELA REG.
10.13242.00	620-006-00	29	ARANDELA REG.
14.00775.01	620-029-00	23	PLACA AD. INDI.
14.01116.00	620-045-00	18	COJINETE CIL.
	620-038-00	15	COJINETE CIL.
15.00113.00	620-039-00	14	AMORTIGUADOR.
15.00213.10	620-007-00	15	TAPA REGISTRO
15.00301.03	620-004-00	3	
15.00301.05	620-004-00	8	EJE CIL/CIL
15.00315.00	620-018-00	13	RESORTE COMP.
15.00344.00	620-005-00	4	TORNILLO DIN931*
15.00348.01	620-006-00	9	CARCASA
	620-005-00	1	CARCASA
15.00349.10	620-006-00	1	TAPA.
15.00368.00	620-005-00	19	ARANDELA DIN1440*
15.00373.00	620-008-00	17	EJE CPL/ROS
15.00374.00	620-007-00	16	ARANDELA DIN9021*
15.00452.00	620-007-00	14	TORNILLO RUEDA
15.00453.00	620-012-00	3	TUERCA DIN985*
	620-011-00	2	TUERCA DIN985*
15.00719.10	620-012-00	2	HORQUILLA ART.
15.00831.00	620-018-00	5	EJE CIL/COA
15.00832.00	620-030-00	5	SUPLEMENTO
15.00832.00	620-030-00	4	SUPLEMENTO
15.00832.00	620-036-00	16	SUPLEMENTO
15.00832.00	620-038-00	18	SUPLEMENTO
15.00834.00	620-039-00	16	CADENA
15.00834.01	620-029-00	11	CADENA
15.00835.00	620-031-00	24	EJE CPA/GRA
15.00835.02	620-029-00	14	EJE CIL/CPA
15.00836.00	620-031-00	20	PASADOR DIN11024
	620-029-00	15	PASADOR DIN11024
	620-031-00	25	PASADOR DIN11024
15.00836.01	620-040-00	6	PASADOR DIN11024
	620-029-00	18	PASADOR DIN11024
15.00901DE05	620-022-00	1	RUEDA
15.00901IZ05	620-022-00	1	RUEDA
15.00912.01	620-022-00	3	CAMARA
15.01016.01	620-020-00	2	
15.01034.00	620-007-00	10	ESPARRAGO DIN938*
15.01203.03	620-001-00	7	BOMBA HIDR.
	620-033-00	7	BOMBA HIDR.
	620-033-00	9	BOMBA HIDR.
	620-034-00	9	BOMBA HIDR.
	620-035-00	9	BOMBA HIDR.
15.01216.00	620-036-00	15	EJE CIL/COA
	620-038-00	17	EJE CIL/COA
15.01223.00	620-033-00	31	RACOR O/M/M
15.01411.00	620-041-00	7	BATERIA
	620-043-00	15	BATERIA
15.01444.00	620-041-00	8	CABLE ELEC.
	620-043-00	13	CABLE ELEC.
15.01524.00	620-024-00	10	TAPON.
15.01993.00	620-029-00	5	SOP. ANG.
15.03582.00	620-006-00	42	
15.03583.00	620-006-00	42	
15.03584.00	620-006-00	42	ARANDELA REG.
15.07780.00	620-033-00	59	TORNILLO DIN910*
15.08141.00	620-030-00	6	COJINETE CIL.
	620-031-00	5	COJINETE CIL.
15.08262.01	620-029-00	16	SOP PAS. REC.
15.10160.01	620-020-00	3	EMPUADURA
15.10750.00	620-023-00	16	
	620-024-00	8	
15.10997.00	620-001-00	23	
15.14411.00	620-048-00	17	TRAMO I/E
15.14510.00	620-048-00	15	SOP. ANG.
15.20727.00	620-020-00	6	COJINETE NYLON
15.30250.00	620-045-00	19	PLACA AD. INDI.
15.30250.01	620-045-00	19	PLACA AD. INDI.

Referencia Reference	Tabla Board	Fig. N° Fig. Nr	Denominación Denomination
15.30250.02	620-045-00	19	PLACA AD. INDI.
15.30250.03	620-045-00	19	DIENTE PALA
15.38237.00	620-029-00	8	
16.00720.01	620-034-00	39	
	620-035-00	39	
16.00760.00	620-046-00	7	CASQUILLO.
16.00913.02	620-022-00	2	CUBIERTA TT
16.01155.00	620-017-00	6	PASACABLES
	620-043-00	8	
	620-048-00	8	
16.01372.00	620-033-00	4	RACOR TOR. SIMPLE
	620-034-00	6	
	620-035-00	6	
16.01415.00	620-043-00	25	MOTOR ARRANQUE
16.01442.00	620-043-00	14	CABLE ELEC.
19.00215.05	620-040-00	23	
19.00220.03	620-040-00	17	GUIA
19.00720.00	620-033-00	67	RACOR M/M
	620-034-00	76	RACOR M/M
	620-035-00	76	RACOR M/M
1D.11428.00	620-035-00	75	
28.00339.00	620-034-00	43	RACOR O/M
	620-035-00	43	RACOR O/M
28.00340.00	620-034-00	44	RACOR TOR. SIMPLE
	620-035-00	44	RACOR TOR. SIMPLE
28.00341.00	620-015-00	33	JUNTA MET. BUNA
	620-033-00	68	JUNTA MET. BUNA
	620-034-00	42	JUNTA MET. BUNA
	620-034-00	77	JUNTA MET. BUNA
	620-035-00	42	JUNTA MET. BUNA
	620-035-00	77	JUNTA MET. BUNA
28.00342.00	620-034-00	41	RACOR TOR. PROL.
	620-035-00	41	RACOR TOR. PROL.
28.00343.00	620-019-00	10	JUNTA MET. BUNA
	620-034-00	65	JUNTA MET. BUNA
	620-035-00	65	JUNTA MET. BUNA
31.01329.00	620-043-00	30	LAMPARA
31.01331.00	620-043-00	29	LAMPARA
38.00115.00	620-001-00	3	COLECTOR ESCAPE
42.00506.00	620-034-00	46	TUBO R1T1/4'
	620-035-00	46	TUBO R1T1/4'
42.20330.01	620-021-00	23	
42.70207.00	620-034-00	19	
	620-035-00	19	
42.70209.00	620-033-00	19	RACOR M/M
43.00121.00	620-002-00	1	SOP. ROD.
43.00190.00	620-008-00	1	CARCASA
43.00191.00	620-008-00	2	
43.00201.00	620-002-00	6	DISCO EMBR.
43.00202.00	620-002-00	7	CONJ. PRESION
43.00310.02	620-015-00	24	SOP. EJE
43.00330.00	620-015-00	7	ARANDELA DIN126*
43.00330.01	620-015-00	9	ARANDELA DIN126*
43.00330.02	620-015-00	9	ARANDELA DIN126*
43.00333.00	620-015-00	21	COJINETE CIL.
43.00333.01	620-015-00	22	COJINETE CIL.
43.00354.00	620-006-00	22	
43.00576.11	620-019-00	22	VARILLA REC.7/16'
43.00750.00	620-019-00	31	
43.00750.01	620-024-00	2	
43.00751.01	620-019-00	5	DEPOSITO
43.00903DE00	620-022-00	1	RUEDA
43.00903IZ00	620-022-00	1	RUEDA
43.00911.00	620-022-00	4	RUEDA
	620-022-00	4	RUEDA
43.00912.00	620-022-00	3	CAMARA
43.00913.01	620-022-00	2	CUBIERTA TT
43.01170.00	620-045-00	6	PLACA AD. INDI.
43.01352.10	620-045-00	12	PLACA AD. INDI.
43.01356.00	620-045-00	14	PLACA AD. INDI.
43.01425.00	620-033-00	17	RACOR M/M
	620-033-00	38	RACOR M/M



Referencia Reference	Tabla Board	Fig. N° Fig. Nr	Denominación Denomination	
	620-034-00	17	RACOR M/M	NIPPLE M/M
	620-034-00	49	RACOR M/M	NIPPLE M/M
	620-035-00	17	RACOR M/M	NIPPLE M/M
	620-035-00	49	RACOR M/M	NIPPLE M/M
43.01453.00	620-033-00	26	RACOR C90M/M	ELBOW C90M/M NIPPLE
	620-034-00	26	RACOR C90M/M	ELBOW C90M/M NIPPLE
	620-035-00	26	RACOR C90M/M	ELBOW C90M/M NIPPLE
43.01520.00	620-019-00	12	INTERRUPTOR	SWITCH
43.01530.01	620-043-00	3	RELE	RELAY
43.01608.00	620-015-00	23		
43.01609.01	620-015-00	19	PALANCA CONTACTO	GEAR LEVER
43.01610.00	620-006-00	27	EJE CAS/CIL	SHAFT 'CAS/CIL'
43.01614.00	620-005-00	9	EJE REC/REC	AXLE 'REC/REC'
43.01615.00	620-006-00	21	ENGRANAJE z20-18	GEAR z20-18
43.01616.00	620-005-00	6	CASQUILLO.	BUSH
43.01620.00	620-006-00	24	ENGRANAJE z18-18	GEAR z18-18
43.01625.00	620-006-00	2	ENGRANAJE z17-15	GEAR z17-15
43.01626.01	620-005-00	14	EJE REC/REC	AXLE 'REC/REC'
43.01628.00	620-005-00	5	EJE REC/REC	AXLE 'REC/REC'
43.01631.00	620-006-00	7	SUPLEMENTO	PANEL
43.01632.00	620-006-00	6	CASQUILLO.	BUSH
43.01633.00	620-006-00	8	EJE CAS/CIL	SHAFT 'CAS/CIL'
43.01634.01	620-006-00	15	EJE CAS/CAS	SHAFT 'CAS/CAS'
43.01635.00	620-006-00	4	SUPLEMENTO	PANEL
43.01637.02	620-006-00	35	ENGRANAJE.	GEAR
43.01638.00	620-006-00	38		
43.01639.00	620-006-00	43	ENGRANAJE.	GEAR
43.01640.00	620-006-00	40	ENGRANAJE z19	GEAR z19
43.01642.00	620-006-00	41	SUPLEMENTO	PANEL
43.01644.00	620-006-00	39	ACOP. CIL/DEN	COUPLING CYL/GEA
43.01645.00	620-006-00	37	ACOP. CIL/DEN	COUPLING CYL/GEA
43.01650.00	620-006-00	20	SUPLEMENTO	PANEL
43.01651.01	620-005-00	13	HORQUILLA ACC.	ACC. FORK
43.01652.01	620-005-00	7	HORQUILLA ACC.	ACC. FORK
43.01653.00	620-005-00	2	HORQUILLA ACC.	ACC. FORK
43.01654.00	620-005-00	16	SOP. GUIA TUBO	TUBE GUIDE SUPPORT
43.01655.00	620-005-00	21	TORNILLO DIN561	SCREW DIN561
43.01656.00	620-005-00	15	RESORTE COMP.	SPRING COMPRESSION
43.01661.00	620-005-00	11	REFUERZO	REINFORCEMENT
43.01904.10	620-045-00	1	PLACA AD. INDI.	PLATE AD. INDI
43.06261.00	620-024-00	12	SENSOR	SENSOR
	620-041-00	16	SENSOR	SENSOR
43.07777.00	620-048-00	7	PASACABLES	GROMMET
43.10298.01	620-003-00	2	TUBO SALIDA GASES	TUBE EXHAUST
43.10755.02	620-019-00	1	VALVULA	VALVE
	620-033-00	47	VALVULA	VALVE
43.10827.00	620-043-00	18	SOP. FIJACION	FIXING SUPPORT
43.10827.01	620-041-00	9	SOP. FIJACION	FIXING SUPPORT
43.11476.00	620-033-00	46	RACOR M/M	NIPPLE M/M
	620-033-00	50	RACOR M/M	NIPPLE M/M
	620-034-00	57	RACOR M/M	NIPPLE M/M
	620-035-00	57	RACOR M/M	NIPPLE M/M
43.13444.00	620-033-00	62	JUNTA MET. BUNA	GASKET MET. BUNA
	620-034-00	71	JUNTA MET. BUNA	GASKET MET. BUNA
	620-035-00	71	JUNTA MET. BUNA	GASKET MET. BUNA
43.14105.11	620-001-00	5		
43.14105.14	620-001-00	4		
43.40825.00	620-029-00	36	SOP. ANG.	BRACKET ANG.
43.50011.00	620-044-00	15	CAJA.	BOX.
43.50022.01	620-042-00	13	LLAVE CONTACTO	SWITCH KEY
	620-044-00	9	LLAVE CONTACTO	SWITCH KEY
43.50022.02	620-042-00	13	LLAVERO	
	620-044-00	9	LLAVERO	
43.50023.00	620-044-00	17	CONMUTADOR	CONMUTATOR
43.50024.01	620-042-00	10	INTERRUPTOR	SWITCH
	620-044-00	12	INTERRUPTOR	SWITCH
43.50025.00	620-042-00	11	GUARDAPOLVO	DUST EXCLUDER
	620-044-00	11	GUARDAPOLVO	DUST EXCLUDER
43.50026.00	620-044-00	10	CONMUTADOR	CONMUTATOR
43.50032.00	620-042-00	15	FUSIBLE	FUSE
	620-044-00	18	FUSIBLE	FUSE
43.50704.00	620-019-00	14	RACOR C90M/M	ELBOW C90M/M NIPPLE

Referencia Reference	Tabla Board	Fig. N° Fig. Nr	Denominación Denomination	
	620-034-00	63	RACOR C90M/M	ELBOW C90M/M NIPPLE
	620-035-00	64	RACOR C90M/M	ELBOW C90M/M NIPPLE
43.50755.27	620-019-00	16	RACOR M/M	NIPPLE M/M
	620-033-00	54	RACOR M/M	NIPPLE M/M
43.50941.00	620-046-00	5	TORNILLO DIN923*	SCREW DIN923*
43.51906.00	620-045-00	1	PLACA AD. INDI.	PLATE AD. INDI
43.60152.00	620-001-00	18	AMORTIGUADOR.	SHOCK ABSORVER
43.70127.00	620-017-00	1	PEDAL ACEL.	ACCEL. PEDAL
43.70202.00	620-033-00	14		
	620-034-00	14		
	620-035-00	14		
43.70295.00	620-008-00	4	ENGRANAJE.	GEAR
43.70351.00	620-006-00	30	EJE CAS/CIL	SHAFT 'CAS/CIL'
	620-008-00	5	EJE CAS/CIL	SHAFT 'CAS/CIL'
43.70352.00	620-008-00	4	ENGRANAJE.	GEAR
43.70354.00	620-008-00	10	ENGRANAJE.	GEAR
43.70355.00	620-045-00	22	PLACA AD. INDI.	PLATE AD. INDI
43.70360.00	620-008-00	14	EJE CPA/DEN	SHAFT 'CPA/DEN'
43.70380.00	620-008-00	11	SUPLEMENTO	PANEL
43.70381.00	620-008-00	13	SUPLEMENTO	PANEL
43.70382.00	620-008-00	12	ENGRANAJE.	GEAR
43.70383.00	620-008-00	12	ENGRANAJE.	GEAR
43.70384.00	620-008-00	10		
43.70385.00	620-008-00	23	ENGRANAJE.	GEAR
43.70387.00	620-008-00	22	SUPLEMENTO	PANEL
43.70404.00	620-008-00	26	ARANDELA.	WASHER
43.70610.00	620-008-00	19	ACOP. CIL/CIL	COUPLING CYL/CYL
43.70780.00	620-045-00	11	PLACA AD. INDI.	PLATE AD. INDI
43.70780.01	620-045-00	31	PLACA AD. INDI.	PLATE AD. INDI
43.70806.00	620-008-00	24	EJE DEN/ROS	SHAFT 'DEN/ROS'
43.80250.01	620-018-00	1		
	620-019-00	4		
44.01102.01	620-039-00	10		
44.01210.00	620-039-00	4		
44.01211.00	620-039-00	9	EMBOLO	PISTON
45.00126.00	620-017-00	5	VARILLA FOR.6	ROD F6
45.00338.10	620-015-00	8	SOP. ART.	SUPPORT ART.
45.00374.00	620-006-00	23	ACOP. CIL/CIL	COUPLING CYL/CYL
45.01371.00	620-033-00	6	RACOR O/TB	NIPPLE O/TB
	620-033-00	8	RACOR O/TB	NIPPLE O/TB
	620-034-00	8	RACOR O/TB	NIPPLE O/TB
	620-035-00	8	RACOR O/TB	NIPPLE O/TB
45.01453.00	620-033-00	34	RACOR C90MO/M	ELBOW C90M/M NIPPLE
45.01454.00	620-033-00	22	RACOR M/M	NIPPLE M/M
	620-033-00	48	RACOR M/M	NIPPLE M/M
	620-034-00	22	RACOR M/M	NIPPLE M/M
	620-034-00	58	RACOR M/M	NIPPLE M/M
	620-035-00	22	RACOR M/M	NIPPLE M/M
	620-035-00	58	RACOR M/M	NIPPLE M/M
45.01465.00	620-025-00	7		
45.01472.00	620-033-00	24	RACOR M/H	NIPPLE M/H
	620-034-00	24	RACOR M/H	NIPPLE M/H
	620-035-00	24	RACOR M/H	NIPPLE M/H
45.01510.02	620-040-00	15		
45.04106.00	620-024-00	15	RACOR O/TB	NIPPLE O/TB
45.04107.00	620-024-00	5	RACOR O/TB	NIPPLE O/TB
45.04113.00	620-018-00	7	SOP. RESORTE	SPRING SUPPORT
45.04204.02	620-004-00	10		
45.10803.00	620-033-00	60	TAPON.	CAP
	620-034-00	69	TAPON.	CAP
	620-035-00	69	TAPON.	CAP
45.10803.10	620-023-00	6	TAPON.	CAP
45.60002.01	620-024-00	19	CINTURON	BELT
	620-027-00	6	CINTURON	BELT
	620-046-00	9	CINTURON	BELT
46.00322.00	620-015-00	35	RESORTE TRAC.	SPRING TENSION
46.00825.00	620-045-00	9	PLACA AD. INDI.	PLATE AD. INDI
46.00841.00	620-046-00	16	BRAZO LIMPIA	WINDSCR. WIPER ARM
46.00842.00	620-046-00	13		
46.00843.00	620-046-00	14	MOTOR LIMPIA	MOTOR WINDSCR. WIPER
46.01532.00	620-029-00	49	CATADIOPTRICO	RED REFLECTOR
	620-041-00	18	CATADIOPTRICO	RED REFLECTOR

Referencia Reference	Tabla Board	Fig. N° Fig. Nr	Denominación Denomination
	620-043-00	33	CATADIOPTRICO RED REFLECTOR
46.09991.00	620-025-00	2	EMPUADURA KNOB
	620-028-00	10	EMPUADURA KNOB
46.10002.00	620-041-00	15	PROT. BORNE TERMINAL PROTECTOR
	620-043-00	16	PROT. BORNE TERMINAL PROTECTOR
46.19101.00	620-045-00	10	
46.50024.00	620-042-00	6	CONTADOR HORAS WORK-OUR METER
	620-044-00	6	CONTADOR HORAS WORK-OUR METER
46.50026.00	620-044-00	13	CAJA INTERMITENCIA PULSE GENERATOR
46.50027.00	620-042-00	7	CAJA. BOX.
	620-044-00	14	CAJA. BOX.
46.50028.00	620-042-00	8	
	620-044-00	7	
46.50029.00	620-042-00	5	BRIDA. CLAMP
	620-044-00	5	BRIDA. CLAMP
47.01428.00	620-033-00	42	TUBO MET. TUBE MET.
	620-034-00	53	
47.01469.00	620-035-00	53	
	620-033-00	15	VALVULA VALVE
	620-034-00	15	VALVULA VALVE
	620-035-00	15	VALVULA VALVE
52.00101.00	620-001-00	1	MOTOR DIESEL ENGINE DIESEL
52.00110.00	620-024-00	13	RACOR TOR. SIMPLE NIPPLE SCREW SIM.
52.00116.00	620-001-00	2	JUNTA DIN71511 GASKET DIN71511
52.00211.01	620-004-00	1	CAMPANA EMBR. CLUTCH CASING
52.00350.03	620-001-00	19	
52.00365.00	620-007-00	2	TAPON. CAP
	620-015-00	32	TAPON. CAP
52.01441.00	620-019-00	19	RACOR M/M NIPPLE M/M
	620-033-00	52	RACOR M/M NIPPLE M/M
	620-034-00	61	RACOR M/M NIPPLE M/M
	620-035-00	61	RACOR M/M NIPPLE M/M
52.01442.00	620-033-00	43	RACOR M/M NIPPLE M/M
	620-034-00	54	RACOR M/M NIPPLE M/M
	620-035-00	54	RACOR M/M NIPPLE M/M
52.01451.00	620-023-00	7	RACOR M/M NIPPLE M/M
53.00152.00	620-017-00	13	VARILLA FORL6 ROD L6
53.01161.00	620-021-00	15	EMBOLO PISTON
54.00101.00	620-001-00	1	MOTOR DIESEL ENGINE DIESEL
54.01117.00	620-021-00	11	TUERCA DIN934* NUT DIN934*
	620-040-00	22	TUERCA DIN934* NUT DIN934*
54.01121.00	620-046-00	3	
54.01327.00	620-043-00	5	PILOTO PILOT
54.01813.00	620-033-00	70	
	620-034-00	51	
	620-035-00	51	
54.01819.00	620-033-00	13	TUBO R2T1/2' HOSE R2T1/2'
	620-034-00	13	TUBO R2T1/2' HOSE R2T1/2'
	620-035-00	13	TUBO R2T1/2' HOSE R2T1/2'
55.00125.00	620-031-00	7	
55.00200.03	620-034-00	45	
	620-035-00	45	
55.00200.04	620-040-00	1	CILINDRO D/E CYLINDER D/E
55.00527.00	620-040-00	20	CASQUILLO. BUSH
55.00757.20	620-033-00	55	RACOR TOR. SIMPLE NIPPLE SCREW SIM.
55.00758.00	620-019-00	15	RACOR. NIPPLE
	620-033-00	57	RACOR. NIPPLE
55.00759.00	620-019-00	11	RACOR O/TB NIPPLE O/TB
55.00769.01	620-019-00	21	GUARDAPOLVO DUST EXCLUDER
55.00770.03	620-019-00	17	JUEGO JUNTAS GASKET SET
55.00770.20	620-033-00	58	BOMBA PIE BRAKE PUMP
55.00830.03	620-030-00	1	TOLVA. SKIP
55.00830.22	620-030-00	1	TOLVA. SKIP
55.01101.01	620-039-00	2	
55.01110.24	620-031-00	1	SOP ART. SUPPORT ART.
55.01160.00	620-040-00	27	SOP. PAS. REC. STRIP SUPPORT
55.01220.02	620-035-00	37	CILINDRO D/E CYLINDER D/E
	620-039-00	1	CILINDRO D/E CYLINDER D/E
55.04507.00	620-042-00	18	
55.09062.00	620-020-00	5	
55.10680.00	620-020-00	4	COLUMNA DIREC. STEERING COLUMM
55.99100.02	620-039-00	18	

Referencia Reference	Tabla Board	Fig. N° Fig. Nr	Denominación Denomination
55.99200.02	620-040-00	28	JUEGO JUNTAS GASKET SET
58.01521.00	620-043-00	7	
58.04113.00	620-015-00	34	SOP. RESORTE SPRING SUPPORT
58.10234.01	620-029-00	2	AMORTIGUADOR. SHOCK ABSORVER
58.10825.00	620-041-00	13	
	620-041-00	14	
	620-043-00	19	
59.00500.01	620-034-00	37	CILINDRO D/E CYLINDER D/E
	620-038-00	1	
59.00520.01	620-038-00	9	
59.00525.04	620-038-00	6	
59.00809.00	620-013-00	3	BIELA CON ROD
59.00927.00	620-015-00	36	SOP. RESORTE SPRING SUPPORT
59.01116.00	620-038-00	8	SOP. ART. SUPPORT ART.
	620-034-00	70	SOP. ART. SUPPORT ART.
60.00123.03	620-003-00	3	SILENCIADOR MUFFLER
60.00126.00	620-016-00	7	SOP. ART. SUPPORT ART.
60.00127.00	620-016-00	2	PALANCA REENVIO LEVER
60.00136.01	620-003-00	1	TUBO SALIDA GASES TUBE EXHAUST
60.00173.00	620-017-00	9	SOP. PLAN. REC. SHEET SUPPORT
60.00188.00	620-043-00	21	
60.00189.00	620-043-00	20	
60.00190.00	620-043-00	22	
60.00297.00	620-008-00	23	ENGRANAJE. GEAR
60.00311.00	620-015-00	27	TAPA REGISTRO COVER HANDHOLE
60.00322.00	620-018-00	11	RESORTE TRAC. SPRING TENSION
60.00323.01	620-016-00	9	PALANCA REENVIO LEVER
60.00747.00	620-019-00	20	BOMBA PIE BRAKE PUMP
	620-034-00	67	BOMBA PIE BRAKE PUMP
	620-035-00	67	BOMBA PIE BRAKE PUMP
60.00753.02	620-025-00	1	SOP. DIRECCION STEERING SUPPORT
60.00754.03	620-025-00	6	PLANCHA PLATE
60.00755.04	620-029-00	1	TAPA. COVER
60.00757.04	620-025-00	4	PLANCHA PLATE
60.00801.01	620-014-00	13	BIELA CON ROD
60.00823.03	620-029-00	10	TAPA. COVER
60.00880.00	620-013-00	5	MAT. PERFIL FORL SHAPE L MAT.
60.00882.01	620-001-00	12	SOP. MOTOR ENGINE SUPPORT
60.00883.01	620-001-00	11	SOP. MOTOR ENGINE SUPPORT
60.00923.00	620-044-00	4	TAPA SOP. FLANGE
60.00923.01	620-042-00	4	TAPA SOP. FLANGE
60.00933.00	620-041-00	10	SOP. PLACA SUPPORT PLATE
	620-043-00	2	SOP. PLACA SUPPORT PLATE
60.01113.00	620-043-00	6	SOP. PLAN. REC. SHEET SUPPORT
60.01114.00	620-043-00	4	SOP. PILOTO LIGHT SUPPORT
60.01115.00	620-021-00	10	
60.01115.02	620-040-00	21	
60.01164.00	620-021-00	20	
60.01352.00	620-045-00	12	PLACA AD. INDI. PLATE AD. INDI
60.01396.01	620-021-00	8	
60.01430.03	620-023-00	10	DEPOSITO TANK
	620-033-00	1	DEPOSITO TANK
	620-034-00	1	DEPOSITO TANK
	620-035-00	1	DEPOSITO TANK
60.01431.02	620-024-00	1	DEPOSITO TANK
60.01451.02	620-037-00	1	
60.01452.01	620-029-00	34	BISAGRA HINGE
60.01454.00	620-048-00	9	PROT. LAMPARA BULB GUARD
60.01461.00	620-029-00	40	
60.01462.00	620-029-00	41	
60.01606.00	620-015-00	12	
60.01755.00	620-029-00	7	BISAGRA HINGE
60.01923.00	620-029-00	17	TOPE. BUTT
60.01926.00	620-029-00	3	TOPE. BUTT
60.02755.00	620-029-00	9	BISAGRA HINGE
60.02823.00	620-029-00	27	SOP. TUBO GOMA RUBB. TUBE BRACKET
60.03030.00	620-008-00	10	ENGRANAJE. GEAR
60.03074.00	620-008-00	23	ENGRANAJE. GEAR
60.03126.00	620-016-00	10	MAT. PERFIL FORL SHAPE L MAT.
60.03127.00	620-016-00	11	SUPLEMENTO PANEL
60.03200.00	620-009-00	1	JUNTA CARDAN PROPELLER SHAFT
60.03201.00	620-010-00	1	JUNTA CARDAN PROPELLER SHAFT



Referencia Reference	Tabla Board	Fig. N° Fig. Nr	Denominación Denomination	
60.03300.00	620-007-00	3	SOP. FIJACION	FIXING SUPPORT
60.03560.01	620-031-00	28	SOP. FIJACION	FIXING SUPPORT
60.03565.00	620-031-00	29	GRUESO REG. REC.	REGUL SPACER
60.04507.02	620-044-00	19		
60.04507.10	620-042-00	2	TABLIER	DASH, PANEL
60.04507.13	620-044-00	3	TABLIER	DASH, PANEL
60.05000.00	620-033-00	69		
	620-034-00	78		
	620-035-00	78		
60.05000.01	620-021-00	1	CILINDRO D/E	CYLINDER D/E
60.05500.00	620-021-00	18	GUARDAPOLVO	DUST EXCLUDER
60.05510.00	620-021-00	5		
60.05510.02	620-014-00	15	GUARDAPOLVO	DUST EXCLUDER
60.08001.00	620-013-00	6	TAPA.	COVER
60.08220.01	620-019-00	7	SOP. PAS. REC.	STRIP SUPPORT
60.08237.01	620-046-00	4		
60.08237.02	620-028-00	1	BARRA.	ROD
60.08240.00	620-046-00	1	PROT. CONDUCTOR	DRIVER GUARD
60.08274.01	620-019-00	8	SOP. BOMBA PIE	BRAKE PUMP SUPPORT
60.08300.02	620-030-00	1	TOLVA.	SKIP
60.09822.00	620-020-00	10	SOP. DIRECCION	STEERING SUPPORT
60.09823.00	620-025-00	3	SOP. PLACA	SUPPORT PLATE
60.10000.00	620-034-00	35	TUBO R1T3/8'	HOSE R1T3/8'
60.10030.00	620-020-00	9	DIREC. HIDROSTAT.	STEERING VALVE
60.10030.00	620-033-00	40	DIREC. HIDROSTAT.	STEERING VALVE
60.10307.01	620-015-00	1		
60.10341.01	620-015-00	17	PALANCA MANDO	CONTROL LEVER
60.10343.02	620-015-00	2	PALANCA MANDO	CONTROL LEVER
60.10396.03	620-014-00	9	EJE COR/ROS	AXLE 'COR/ROS'
60.10400.00	620-011-00	1	PUENTE FIJO	AXLE FIXED
60.10500.00	620-012-00	1	PUENTE FIJO	AXLE FIXED
60.10737.02	620-018-00	6	VARILLA REC.7/16'	ROD STRAIGHT R7/16'
60.10752.01	620-029-00	4		
60.10752.02	620-029-00	4	GUARDABARROS	MUDGUARD
60.10800.03	620-031-00	19	BASTIDOR	FRAME
60.10800.04	620-013-00	1	BASTIDOR	FRAME
60.10804.03	620-014-00	12	TAPA.	COVER
60.10902.00	620-031-00	14	REFUERZO	REINFORCEMENT
60.10903.00	620-031-00	15	FALDON	GUARD
60.10912.00	620-031-00	12	SOP. FIJACION	FIXING SUPPORT
60.10913.00	620-031-00	13	SOP. FIJACION	FIXING SUPPORT
60.11035.00	620-031-00	18	AMORTIGUADOR.	SHOCK ABSORVER
60.11230.00	620-025-00	9		
60.11250.00	620-029-00	45	EMPUADURA	KNOB
60.11321.00	620-029-00	28	CIERRE	LATCH
60.11396.01	620-021-00	4	CASQUILLO.	BUSH
60.11448.00	620-034-00	4		
	620-035-00	4		
60.11460.01	620-023-00	4	TAPA SOP.	FLANGE
60.11706.00	620-024-00	21	PROT. DEPOSITO	TANK GUARD
60.11752.00	620-029-00	6	GUARDABARROS	MUDGUARD
60.11752.01	620-029-00	6	GUARDABARROS	MUDGUARD
60.11804.01	620-014-00	14	TAPA.	COVER
60.11830.00	620-029-00	25	CAJA HERRAMENT.	TOOLS BOX
60.11938.00	620-027-00	1	ASIENTO CONDUCT.	DRIVER'S SEAT
60.11939.00	620-024-00	20		
60.12101.00	620-047-00	1	TOLVA.	SKIP
60.12237.00	620-029-00	44	TAPON.	CAP
60.12800.03	620-013-00	1	BASTIDOR	FRAME
60.12830.00	620-030-00	1	TOLVA.	SKIP
60.12831.00	620-030-00	1	TOLVA.	SKIP
60.13006.00	620-033-00	21	RACOR FORT M/M/TL	THREE-WAY UNION MM/TL
	620-034-00	21	RACOR FORT M/M/TL	THREE-WAY UNION MM/TL
	620-035-00	21	RACOR FORT M/M/TL	THREE-WAY UNION MM/TL
60.13016.00	620-033-00	16	RACOR M/TL	NIPPLE M/TL
	620-034-00	16	RACOR M/TL	NIPPLE M/TL
	620-035-00	16	RACOR M/TL	NIPPLE M/TL
60.13024.00	620-033-00	18	VALVULA	VALVE
	620-034-00	18	VALVULA	VALVE
	620-035-00	18	VALVULA	VALVE
60.13115.00	620-019-00	2	SOP. PAS. REC.	STRIP SUPPORT
60.13140.00	620-033-00	12	RACOR FORT M/M/TL	THREE-WAY UNION MM/TL

Referencia Reference	Tabla Board	Fig. N° Fig. Nr	Denominación Denomination	
	620-034-00	12	RACOR FORT M/M/TL	THREE-WAY UNION MM/TL
	620-035-00	12	RACOR FORT M/M/TL	THREE-WAY UNION MM/TL
60.13200.00	620-033-00	53	TUBO R1T1/4'	HOSE R1T1/4'
60.13200.02	620-019-00	18	TUBO R1T1/4'	HOSE R1T1/4'
	620-034-00	62	TUBO R1T1/4'	HOSE R1T1/4'
	620-035-00	62	TUBO R1T1/4'	HOSE R1T1/4'
60.13206.00	620-033-00	49	TUBO R1T1/4'	HOSE R1T1/4'
	620-034-00	59	TUBO R1T1/4'	HOSE R1T1/4'
	620-035-00	59	TUBO R1T1/4'	HOSE R1T1/4'
60.13275.00	620-033-00	20	TUBO R1T1/4'	HOSE R1T1/4'
	620-034-00	20	TUBO R1T1/4'	HOSE R1T1/4'
	620-035-00	20	TUBO R1T1/4'	HOSE R1T1/4'
60.13305.00	620-033-00	25	RACOR H/H	NIPPLE H/H
	620-034-00	25	RACOR H/H	NIPPLE H/H
	620-035-00	25	RACOR H/H	NIPPLE H/H
60.13315.00	620-048-00	13	TRAMO I/E	LENGTH ELEC. INSTAL.
60.13460.00	620-033-00	51	TUBO R1T1/4'	HOSE R1T1/4'
	620-034-00	60	TUBO R1T1/4'	HOSE R1T1/4'
	620-035-00	60	TUBO R1T1/4'	HOSE R1T1/4'
60.13500.00	620-034-00	29	TUBO R1T3/8'	HOSE R1T3/8'
	620-035-00	29	TUBO R1T3/8'	HOSE R1T3/8'
60.13501.00	620-033-00	44	RACOR M/M	NIPPLE M/M
	620-034-00	55	RACOR M/M	NIPPLE M/M
	620-035-00	55	RACOR M/M	NIPPLE M/M
60.13535.00	620-033-00	29	TUBO R1T3/8'	HOSE R1T3/8'
60.13550.00	620-033-00	37	TUBO R2T1/2'	HOSE R2T1/2'
	620-034-00	48	TUBO R2T1/2'	HOSE R2T1/2'
	620-035-00	48	TUBO R2T1/2'	HOSE R2T1/2'
60.13710.00	620-034-00	40	TUBO R1T1/4'	HOSE R1T1/4'
	620-035-00	40	TUBO R1T1/4'	HOSE R1T1/4'
60.13870.00	620-033-00	45	TUBO R1T1/4'	HOSE R1T1/4'
	620-034-00	56	TUBO R1T1/4'	HOSE R1T1/4'
	620-035-00	56	TUBO R1T1/4'	HOSE R1T1/4'
60.14455.00	620-048-00	12	SOP. PLAN. REC.	SHEET SUPPORT
60.15804.00	620-045-00	30	PLACA AD. INDI.	PLATE AD. INDI
60.20002.00	620-045-00	25	PLACA AD. INDI.	PLATE AD. INDI
60.20003.00	620-045-00	28	PLACA AD. INDI.	PLATE AD. INDI
60.20008.00	620-045-00	29	PLACA AD. INDI.	PLATE AD. INDI
60.20009.00	620-045-00	29A	PLACA AD. INDI.	PLATE AD. INDI
60.20011.00	620-045-00	24	INDICADOR	INDICATOR
60.20013.00	620-045-00	27	INDICADOR	INDICATOR
60.20015.00	620-045-00	23	INDICADOR	INDICATOR
60.20017.00	620-045-00	26	INDICADOR	INDICATOR
60.20800.03	620-025-00	8	BASTIDOR	FRAME
60.20800.04	620-013-00	2	BASTIDOR	FRAME
60.21300.00	620-007-00	1		
60.22300.00	620-007-00	1		
60.22350.00	620-045-00	16	PLACA AD. INDI.	PLATE AD. INDI
60.31300.00	620-007-00	1		
60.45070.01	620-041-00	1		
	620-042-00	1		
60.45070.02	620-043-00	1		
	620-044-00	1		
60.50016.00	620-033-00	61	TAPON.	CAP
	620-035-00	70	TAPON.	CAP
60.51157.00	620-021-00	12		
60.51159.11	620-021-00	25		
60.70237.01	620-041-00	2	TRAMO I/E	LENGTH ELEC. INSTAL.
60.70237.02	620-043-00	12	TRAMO I/E	LENGTH ELEC. INSTAL.
60.99100.01	620-021-00	26		
60.99225.00	620-043-00	26	SOP. PILOTO	LIGHT SUPPORT
61.01396.00	620-014-00	1	EJE COR/ROS	AXLE 'COR/ROS'
61.01397.00	620-014-00	16	EJE CIL/ROS	AXLE 'CIL/ROS'
61.08300.01	620-030-00	1		
61.11396.00	620-014-00	3	GRUESO REG. REC.	REGUL SPACER
62.21531.00	620-029-00	30	TIRANTE	TIE ROD
62.21532.00	620-029-00	29	TIRANTE	TIE ROD
80.01035.00	620-015-00	31	TORNILLO DIN910*	SCREW DIN910*
80.01035.01	620-005-00	24	TAPON.	CAP
	620-007-00	7		
80.01090.00	620-019-00	13	TAPON.	CAP
	620-034-00	72	TAPON.	CAP

Referencia Reference	Tabla Board	Fig. N° Fig. Nr	Denominación Denomination	Referencia Reference	Tabla Board	Fig. N° Fig. Nr	Denominación Denomination
	620-035-00	72	TAPON. CAP	201.11275.50	620-008-00	8	JUNTA DIN3770 O-RING DIN3770
80.06041.00	620-024-00	4	RACOR TOR. SIMPLE NIPPLE SCREW SIM.	201.15035.00	620-008-00	6	JUNTA DIN3770 O-RING DIN3770
83.00252.06	620-001-00	22	FILTRO ACEITE OIL FILTER	201.18002.50	620-006-00	3	JUNTA DIN3770 O-RING DIN3770
83.25050.03	620-001-00	24	ELEMEN. BOMBA INY. PUMP INJEC. ELEMENT	201.19002.50	620-015-00	38	JUNTA DIN3770 O-RING DIN3770
83.79009.01	620-001-00	20	FILTRO AIRE AIR FILTER	201.22003.50	620-036-00	8	JUNTA DIN3770 O-RING DIN3770
83.79009.12	620-001-00	21	PREFILTRO CLEANER-PRE		620-038-00	3	JUNTA DIN3770 O-RING DIN3770
83.89058.01	620-043-00	24	ALTERNADOR GENERATOR	201.28003.50	620-040-00	24	
101.06000.66	620-006-00	31	ARANDELA DIN125 WASHER DIN125	201.32002.50	620-015-00	20	JUNTA DIN3770 O-RING DIN3770
	620-046-00	6	ARANDELA DIN125 WASHER DIN125	201.37003.50	620-008-00	18	JUNTA DIN3770 O-RING DIN3770
101.08000.66	620-048-00	4	ARANDELA DIN125 WASHER DIN125	201.58003.50	620-021-00	24	JUNTA DIN3770 O-RING DIN3770
	620-018-00	3	ARANDELA DIN125 WASHER DIN125	202.34075.00	620-006-00	28	
	620-019-00	27	ARANDELA DIN125 WASHER DIN125	202.40010.50	620-006-00	32	RETEN DIN3760 SEAL DIN3760
101.12000.66	620-029-00	21	ARANDELA DIN125 WASHER DIN125	203.30008.50	620-038-00	13	RASCADOR WIPER RING
101.22000.66	620-001-00	15	ARANDELA DIN125 WASHER DIN125	203.3008.50	620-036-00	13	RASCADOR WIPER RING
101.30000.66	620-021-00	6	ARANDELA DIN125 WASHER DIN125	205.50010.50	620-008-00	20	RETEN RECUBIER. LD SEAL
	620-014-00	6	ARANDELA DIN125 WASHER DIN125	207.05543.50	620-040-00	26	
	620-036-00	20	ARANDELA DIN125 WASHER DIN125	207.07058.50	620-039-00	8	
101.36000.66	620-040-00	5	ARANDELA DIN125 WASHER DIN125	207.63025.50	620-021-00	14	
104.08000.00	620-031-00	4	ARANDELA DIN7980 CIR-CLIP EXT. DIN7980	207.63028.50	620-036-00	6	JUNTA ESTAN. COMP GASKET
104.10000.66	620-006-00	10			620-038-00	4	JUNTA ESTAN. COMP GASKET
105.06000.66	620-004-00	15	ARANDELA DIN127 WASHER DIN127	208.00521.04	620-036-00	7	
	620-002-00	2	ARANDELA DIN127 WASHER DIN127	217.30006.50	620-036-00	11	JUNTA DIN6505 GASKET DIN6505
	620-004-00	16	ARANDELA DIN127 WASHER DIN127		620-038-00	12	JUNTA DIN6505 GASKET DIN6505
	620-014-00	11	ARANDELA DIN127 WASHER DIN127	228.02836.50	620-040-00	19	RASCADOR WIPER RING
	620-029-00	13	ARANDELA DIN127 WASHER DIN127	228.03606.50	620-021-00	21	RASCADOR WIPER RING
	620-029-00	32	ARANDELA DIN127 WASHER DIN127	228.04008.50	620-039-00	6	RASCADOR WIPER RING
	620-030-00	3	ARANDELA DIN127 WASHER DIN127	229.02838.50	620-040-00	18	JUNTA DIN6505 GASKET DIN6505
	620-036-00	17	ARANDELA DIN127 WASHER DIN127	229.03610.50	620-021-00	22	
	620-038-00	20	ARANDELA DIN127 WASHER DIN127	229.04010.50	620-039-00	5	
105.06010.86	620-040-00	12		301.25017.00	620-006-00	44	RODAMIENTO DIN625 BEARING DIN625
105.08000.66	620-015-00	29	ARANDELA DIN127 WASHER DIN127	301.30016.00	620-006-00	26	RODAMIENTO DIN625 BEARING DIN625
	620-004-00	12	ARANDELA DIN127 WASHER DIN127	301.30023.00	620-008-00	9	RODAMIENTO DIN625 BEARING DIN625
	620-015-00	26	ARANDELA DIN127 WASHER DIN127	301.45025.00	620-008-00	3	RODAMIENTO DIN625 BEARING DIN625
	620-019-00	29	ARANDELA DIN127 WASHER DIN127		620-008-00	21	RODAMIENTO DIN625 BEARING DIN625
	620-020-00	12	ARANDELA DIN127 WASHER DIN127	306.20015.00	620-006-00	18	RODAMIEN. DIN5412 BEARING DIN5412
	620-029-00	38	ARANDELA DIN127 WASHER DIN127	306.25017.00	620-006-00	16	RODAMIEN. DIN5412 BEARING DIN5412
	620-029-00	47	ARANDELA DIN127 WASHER DIN127	308.22017.00	620-006-00	5	JAULA AGUJAS NEEDLES
105.09000.66	620-040-00	9	ARANDELA DIN127 WASHER DIN127	309.17012.00	620-002-00	5	RODAMIENTO DIN625 BEARING DIN625
105.10000.66	620-015-00	4	ARANDELA DIN127 WASHER DIN127	316.35023.00	620-006-00	34	RODAMIENTO DIN625 BEARING DIN625
	620-002-00	8	ARANDELA DIN127 WASHER DIN127	401.02020.60	620-018-00	2	PASADOR DIN94 SPLIT PIN DIN94
	620-017-00	8	ARANDELA DIN127 WASHER DIN127		620-019-00	26	PASADOR DIN94 SPLIT PIN DIN94
	620-020-00	8	ARANDELA DIN127 WASHER DIN127	401.02020.66	620-017-00	3	
	620-023-00	3	ARANDELA DIN127 WASHER DIN127	401.03030.60	620-004-00	7	PASADOR DIN94 SPLIT PIN DIN94
	620-027-00	3	ARANDELA DIN127 WASHER DIN127	401.04050.60	620-014-00	8	PASADOR DIN94 SPLIT PIN DIN94
105.12000.66	620-031-00	27	ARANDELA DIN127 WASHER DIN127	401.35040.60	620-008-00	15	PASADOR DIN94 SPLIT PIN DIN94
	620-001-00	16	ARANDELA DIN127 WASHER DIN127	402.03030.00	620-015-00	10	PASADOR DIN1481 ROLL PIN DIN1481
	620-007-00	5	ARANDELA DIN127 WASHER DIN127	402.06030.00	620-004-00	9	PASADOR DIN1481 ROLL PIN DIN1481
	620-008-00	27	ARANDELA DIN127 WASHER DIN127		620-004-00	14	PASADOR DIN1481 ROLL PIN DIN1481
105.14000.66	620-028-00	7	ARANDELA DIN127 WASHER DIN127		620-015-00	13	PASADOR DIN1481 ROLL PIN DIN1481
	620-028-00	6	ARANDELA DIN127 WASHER DIN127	402.08020.00	620-002-00	10	PASADOR DIN1481 ROLL PIN DIN1481
105.16000.66	620-047-00	3	ARANDELA DIN127 WASHER DIN127	403.10024.00	620-008-00	25	PASADOR DIN6325
	620-001-00	13	ARANDELA DIN127 WASHER DIN127	502.03000.60	620-045-00	5	REMACHE DIN1476 RIVET DIN1476
106.10000.20	620-007-00	13	ARANDELA CU WASHER CU	601.06025.00	620-048-00	3	
	620-019-00	9	ARANDELA CU WASHER CU	601.06025.86	620-014-00	10	TORNILLO DIN912 SCREW DIN912
	620-034-00	64	ARANDELA CU WASHER CU	601.08020.86	620-005-00	17	TORNILLO DIN912 SCREW DIN912
106.12000.20	620-035-00	66	ARANDELA CU WASHER CU	601.08030.86	620-015-00	25	TORNILLO DIN912 SCREW DIN912
106.14000.66	620-033-00	56	ARANDELA CU WASHER CU	601.10030.86	620-004-00	4	TORNILLO DIN912 SCREW DIN912
	620-005-00	23	ARANDELA CU WASHER CU	601.12030.86	620-007-00	4	TORNILLO DIN912 SCREW DIN912
107.14000.10	620-024-00	14	ARANDELA AL WASHER AL	601.12035.86	620-007-00	4	TORNILLO DIN912 SCREW DIN912
	620-007-00	8	ARANDELA AL WASHER AL	601.12040.86	620-007-00	6	TORNILLO DIN912 SCREW DIN912
	620-015-00	30	ARANDELA AL WASHER AL	601.18060.86	620-031-00	11	TORNILLO DIN912 SCREW DIN912
	620-023-00	13	ARANDELA AL WASHER AL	603.05015.86	620-026-00	6	TORNILLO DIN933 SCREW DIN933
112.06000.66	620-024-00	17	ARANDELA DIN9021 CIR-CLIP INT. DIN9021	603.06010.86	620-004-00	2	TORNILLO DIN933 SCREW DIN933
112.08000.66	620-018-00	9	ARANDELA DIN9021 CIR-CLIP INT. DIN9021		620-015-00	28	TORNILLO DIN933 SCREW DIN933
	620-023-00	9	ARANDELA DIN9021 CIR-CLIP INT. DIN9021	603.06015.86	620-029-00	12	TORNILLO DIN933 SCREW DIN933
	620-024-00	7	ARANDELA DIN9021 CIR-CLIP INT. DIN9021		620-030-00	2	TORNILLO DIN933 SCREW DIN933
201.028535.50	620-021-00	13			620-031-00	22	TORNILLO DIN933 SCREW DIN933
201.04705.50	620-040-00	16	JUNTA DIN3770 O-RING DIN3770		620-036-00	18	TORNILLO DIN933 SCREW DIN933
201.05153.50	620-036-00	10	JUNTA DIN3770 O-RING DIN3770		620-038-00	19	TORNILLO DIN933 SCREW DIN933
	620-038-00	10	JUNTA DIN3770 O-RING DIN3770		620-039-00	15	TORNILLO DIN933 SCREW DIN933
201.05905.50	620-039-00	3	JUNTA DIN3770 O-RING DIN3770		620-043-00	9	TORNILLO DIN933 SCREW DIN933
201.10035.50	620-008-00	7	JUNTA DIN3770 O-RING DIN3770	603.06020.86	620-002-00	3	TORNILLO DIN933 SCREW DIN933



Referencia Reference	Tabla Board	Fig. N° Fig. Nr	Denominación Denomination
	620-028-00	9	TORNILLO DIN933 SCREW DIN933
	620-029-00	31	TORNILLO DIN933 SCREW DIN933
	620-040-00	14	TORNILLO DIN933 SCREW DIN933
603.06025.86	620-018-00	8	TORNILLO DIN933 SCREW DIN933
603.06030.86	620-041-00	11	TORNILLO DIN933 SCREW DIN933
	620-043-00	17	TORNILLO DIN933 SCREW DIN933
603.08015.86	620-013-00	7	TORNILLO DIN933 SCREW DIN933
	620-017-00	4	TORNILLO DIN933 SCREW DIN933
	620-041-00	4	TORNILLO DIN933 SCREW DIN933
603.08020.86	620-003-00	4	TORNILLO DIN933 SCREW DIN933
	620-004-00	13	TORNILLO DIN933 SCREW DIN933
	620-019-00	3	TORNILLO DIN933 SCREW DIN933
	620-020-00	13	TORNILLO DIN933 SCREW DIN933
	620-025-00	10	TORNILLO DIN933 SCREW DIN933
	620-029-00	20	TORNILLO DIN933 SCREW DIN933
	620-029-00	37	TORNILLO DIN933 SCREW DIN933
603.08025.00	620-005-00	10	
603.08025.86	620-048-00	16	TORNILLO DIN933 SCREW DIN933
603.08030.66	620-024-00	6	
603.08030.86	620-019-00	30	TORNILLO DIN933 SCREW DIN933
603.10015.86	620-017-00	7	TORNILLO DIN933 SCREW DIN933
603.10020.86	620-002-00	9	TORNILLO DIN933 SCREW DIN933
603.10025.86	620-023-00	2	TORNILLO DIN933 SCREW DIN933
603.10035.00	620-031-00	26	
603.10055.86	620-016-00	8	
603.12020.86	620-008-00	28	TORNILLO DIN933 SCREW DIN933
603.16035.86	620-001-00	10	TORNILLO DIN933 SCREW DIN933
604.08070.86	620-037-00	3	TORNILLO DIN931 SCREW DIN931
604.09040.86	620-015-00	3	TORNILLO DIN931 SCREW DIN931
604.10030.86	620-007-00	17	TORNILLO DIN931 SCREW DIN931
604.10110.86	620-001-00	8	TORNILLO DIN931 SCREW DIN931
604.12030.86	620-001-00	14	TORNILLO DIN931 SCREW DIN931
604.12040.86	620-028-00	3	TORNILLO DIN931 SCREW DIN931
604.12060.86	620-001-00	9	TORNILLO DIN931 SCREW DIN931
604.14050.86	620-028-00	2	TORNILLO DIN931 SCREW DIN931
604.16075.86	620-031-00	8	TORNILLO DIN931 SCREW DIN931
604.18090.86	620-031-00	2	TORNILLO DIN931 SCREW DIN931
605.10030.66	620-046-00	12	TORNILLO DIN603 SCREW DIN603
612.06010.86	620-006-00	11	TORNILLO DIN914 SCREW DIN814
615.06012.66	620-044-00	20	TORNILLO DIN84 SCREW DIN84
618.12025.86	620-046-00	10	TORNILLO DIN7991 SCREW DIN7991
624.05010.86	620-021-00	19	
630.06015.96	620-042-00	16	TORNILLO ISO7380 SCREW ISO7380
630.06020.86	620-024-00	22	
630.08020.96	620-023-00	8	TORNILLO ISO7380 SCREW ISO7380
	620-029-00	22	TORNILLO ISO7380 SCREW ISO7380
	620-029-00	42	TORNILLO ISO7380 SCREW ISO7380
630.08025.86	620-023-00	15	
630.08025.96	620-024-00	11	TORNILLO ISO7380 SCREW ISO7380
	620-029-00	46	TORNILLO ISO7380 SCREW ISO7380
630.10020.86	620-027-00	2	
630.10030.96	620-020-00	7	TORNILLO ISO7380 SCREW ISO7380
701.05000.66	620-031-00	17	TUERCA DIN934 NUT DIN934
	620-031-00	21	TUERCA DIN934 NUT DIN934
701.06000.66	620-017-00	10	TUERCA DIN934 NUT DIN934
	620-018-00	10	TUERCA DIN934 NUT DIN934
	620-040-00	11	TUERCA DIN934 NUT DIN934
	620-041-00	12	TUERCA DIN934 NUT DIN934
	620-042-00	17	TUERCA DIN934 NUT DIN934
	620-043-00	11	TUERCA DIN934 NUT DIN934
	620-044-00	21	TUERCA DIN934 NUT DIN934
701.08000.66	620-016-00	6	TUERCA DIN934 NUT DIN934
	620-019-00	28	TUERCA DIN934 NUT DIN934
	620-020-00	11	TUERCA DIN934 NUT DIN934
	620-029-00	24	TUERCA DIN934 NUT DIN934
	620-029-00	39	TUERCA DIN934 NUT DIN934
	620-029-00	43	TUERCA DIN934 NUT DIN934
	620-029-00	48	TUERCA DIN934 NUT DIN934
	620-040-00	10	TUERCA DIN934 NUT DIN934
	620-041-00	5	TUERCA DIN934 NUT DIN934
701.10000.66	620-007-00	18	TUERCA DIN934 NUT DIN934
	620-027-00	4	TUERCA DIN934 NUT DIN934

Referencia Reference	Tabla Board	Fig. N° Fig. Nr	Denominación Denomination
701.12000.66	620-001-00	17	TUERCA DIN934 NUT DIN934
701.12000.66	620-005-00	18	TUERCA DIN934 NUT DIN934
701.12000.66	620-018-00	12	TUERCA DIN934 NUT DIN934
701.12000.66	620-028-00	5	TUERCA DIN934 NUT DIN934
701.14000.66	620-028-00	4	TUERCA DIN934 NUT DIN934
701.16000.66	620-031-00	9	TUERCA DIN934 NUT DIN934
701.18000.66	620-031-00	10	TUERCA DIN934 NUT DIN934
708.16000.66	620-007-00	12	TUERCA DIN934 NUT DIN934
709.10000.66	620-007-00	11	TUERCA DIN936 NUT DIN936
710.20000.66	620-008-00	16	TUERCA DIN935 CASTELL. NUT DIN935
711.00308.00	620-016-00	5	
711.06000.66	620-024-00	23	TUERCA DIN982 NUT DIN982
711.06000.66	620-029-00	33	TUERCA DIN982 NUT DIN982
711.06000.66	620-046-00	8	TUERCA DIN982 NUT DIN982
711.06000.66	620-048-00	5	TUERCA DIN982 NUT DIN982
711.06000.66	620-048-00	11	TUERCA DIN982 NUT DIN982
711.08000.66	620-029-00	19	TUERCA DIN982 NUT DIN982
711.09000.66	620-015-00	5	TUERCA DIN982 NUT DIN982
711.10000.66	620-024-00	18	TUERCA DIN982 NUT DIN982
	620-027-00	5	TUERCA DIN982 NUT DIN982
	620-031-00	30	TUERCA DIN982 NUT DIN982
711.12000.66	620-046-00	11	TUERCA DIN982 NUT DIN982
718.08000.66	620-009-00	3	TUERCA DIN982 NUT DIN982
	620-010-00	3	TUERCA DIN982 NUT DIN982
720.22000.66	620-021-00	7	TUERCA DIN985 NUT DIN985
720.27000.66	620-021-00	16	TUERCA DIN985 NUT DIN985
	620-039-00	7	TUERCA DIN985 NUT DIN985
727.06004.86	620-025-00	5	TUERCA ENJAULADA CAPTIVE NUT
830.01806.00	620-043-00	23	BRIDA LAZO CLAMP LOOP
901.06000.66	620-009-00	2	
901.08000.33	620-014-00	2	ENGRAS. DIN71412-A GREASER DIN71412-A
	620-015-00	14	ENGRAS. DIN71412-A GREASER DIN71412-A
	620-021-00	9	ENGRAS. DIN71412-A GREASER DIN71412-A
	620-030-00	7	ENGRAS. DIN71412-A GREASER DIN71412-A
	620-031-00	6	ENGRAS. DIN71412-A GREASER DIN71412-A
	620-036-00	3	ENGRAS. DIN71412-A GREASER DIN71412-A
	620-038-00	21	ENGRAS. DIN71412-A GREASER DIN71412-A
	620-040-00	2	ENGRAS. DIN71412-A GREASER DIN71412-A
901.10000.33	620-014-00	17	ENGRAS. DIN71412-A GREASER DIN71412-A
903.08000.33	620-036-00	19	ENGRAS. DIN71412-B GREASER DIN71412-B
904.22000.00	620-040-00	3	ANILLO DIN471 SNAP RING DIN471
904.23000.00	620-005-00	12	ANILLO DIN471 SNAP RING DIN471
904.25000.00	620-006-00	13	ANILLO DIN471 SNAP RING DIN471
904.30000.00	620-006-00	25	ANILLO DIN471 SNAP RING DIN471
904.35000.00	620-015-00	6	ANILLO DIN471 SNAP RING DIN471
	620-015-00	11	ANILLO DIN471 SNAP RING DIN471
	620-031-00	3	ANILLO DIN471 SNAP RING DIN471
905.40000.00	620-002-00	4	ANILLO DIN472 SNAP RING DIN472
905.52000.00	620-006-00	19	ANILLO DIN472 SNAP RING DIN472
905.62000.00	620-006-00	14	ANILLO DIN472 SNAP RING DIN472
905.68000.00	620-014-00	5	ANILLO DIN472 SNAP RING DIN472
905.72000.00	620-006-00	33	ANILLO DIN472 SNAP RING DIN472
908.08000.00	620-005-00	8	BOLA BALL
912.08000.66	620-019-00	6	
912.08016.66	620-017-00	2	ABRAZAD. DIN3017 CLAMP DIN3017
912.20032.00	620-033-00	3	ABRAZADERA. CLAMP
	620-033-00	41	ABRAZADERA. CLAMP
	620-034-00	3	ABRAZADERA. CLAMP
	620-034-00	52	ABRAZADERA. CLAMP
	620-035-00	52	ABRAZADERA. CLAMP
	620-035-00	3	ABRAZADERA. CLAMP
914.47000.00	620-021-00	3	ANILLO DIN2200 RING DIN2200
920.50000.66	620-021-00	17	
923.22025.00	620-015-00	16	COJINETE VAL. A/L STEPPED S/L BEARING
937.20175.00	620-006-00	17	ANILLO DIN471* SNAP RING DIN471*
937.25002.00	620-006-00	45	ANILLO DIN471* SNAP RING DIN471*
937.32002.00	620-006-00	36	ANILLO DIN471* SNAP RING DIN471*
938.08000.66	620-001-00	6	BRIDA MUELLE CLAMP SPRING
	620-024-00	3	BRIDA MUELLE CLAMP SPRING
940.25018.00	620-004-00	5	CASQUILLO. BUSH
941.25028.00	620-021-00	2	ROTULA. BUSHING
941.40040.00	620-014-00	4	ROTULA. BUSHING

Referencia <i>Reference</i>	Tabla <i>Board</i>	Fig. N° <i>Fig. Nr</i>	Denominación <i>Denomination</i>	
941.50056.00	620-014-00	18	ROTULA.	BUSHING
945.10000.00	620-010-00	2		
946.01200.00	620-043-00	32	BRIDA MUELLE	CLAMP SPRING
946.01400.00	620-043-00	31	BRIDA MUELLE	CLAMP SPRING
948.00907.00	620-023-00	17	BRIDA MUELLE	CLAMP SPRING
	620-024-00	9	BRIDA MUELLE	CLAMP SPRING
D8.00360.01	620-034-00	5		

